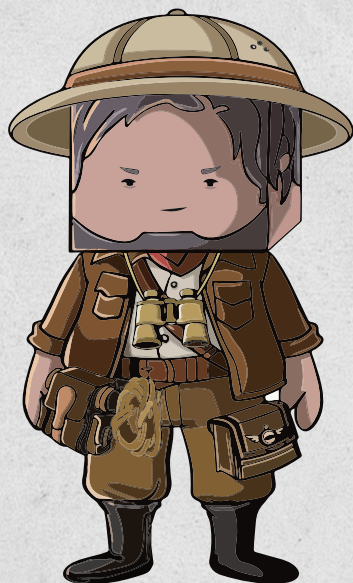


Velvet Chair for Kingswood – 2-Pack

INSTRUCTION MANUAL

NOBLE MAJESTY!



You've been waiting a while for your Project Velvet Chair to arrive thank you for your patience, Noble One!

Today is a glorious day! Project Velvet Chair stands ready to serve you in every future gaming session - it just needs a little assembly first...but we're here to help!

Our deepest thanks to every gracious Majesty who has supported and pre-ordered! Over the years, you've helped us take BoxKing Gaming from a flicker of imagination to a small but stalwart gaming company: from project Ironside BoxThrone board game shelves, and LAX RAX, and now Project Velvet Chair and many more in the future!

Feel free to tag us on Instagram, YouTube or Facebook once you've built your table! We'll share, retweet, or reply to your post!

Instagram: @BoxKing Gaming

YouTube: @BoxKing Gaming

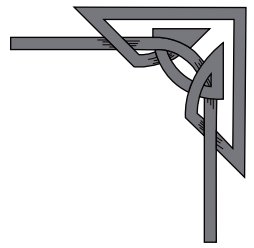
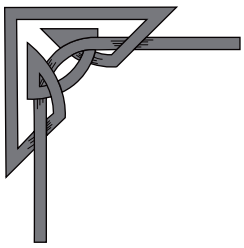
Facebook: www.facebook.com/BoxKingGaming

You can also see other curious creations at
www.boxkinggaming.com

Onwards, your Majesty - your table awaits!

Humbly yours,
BoxKing Gaming





SAFETY WARNINGS

1. Placement and Environment

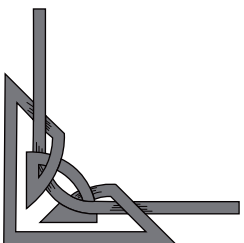
- Place the chair indoors in a cool, shaded area. Avoid direct sunlight. Prolonged exposure to sunlight may cause the velvet fabric to fade, become brittle, and deteriorate over time.
- Keep away from heat sources such as radiators, heaters, and fireplaces. High temperatures may damage or deform the fabric.
- Maintain a dry environment. The chair frame is made of wood, which may develop mold in humid conditions.

2. Load Capacity and Usage

- The chair has a maximum load capacity of 150 kg. Always follow this weight limit.
- Avoid placing sharp, heavy, or angular objects on the chair, as they may puncture or wear the fabric and affect its durability.
- For the best and most stable seating experience, sit near the center of the chair.
- Do not use the chair as a step stool or for any purpose other than sitting.

3. Cleaning and Maintenance

- Use a special velvet cleaning brush to gently brush in the same direction as the nap. This helps remove dust and restore the soft texture of the velvet.
- For liquid stains, quickly blot the affected area with a clean paper towel. Do not rub. Then wipe gently with a damp cloth using clean water and allow the fabric to air dry naturally.
- Do not use strong acids, alkalis, bleach, hard brushes, or abrasive cleaning tools. Do not rinse or soak the chair directly in water.
- After prolonged use, the cushion may show slight compression marks. Fluff or brush the velvet regularly to restore its original appearance.
- After assembly, tighten all screws and bolts every 4–6 months to maintain stability and ensure safe use.



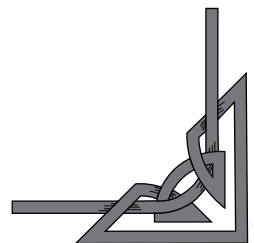
Instagram



Facebook

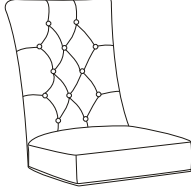
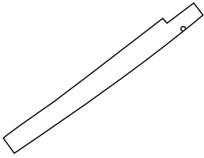
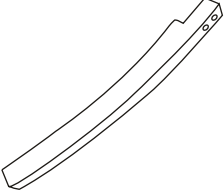







YouTube



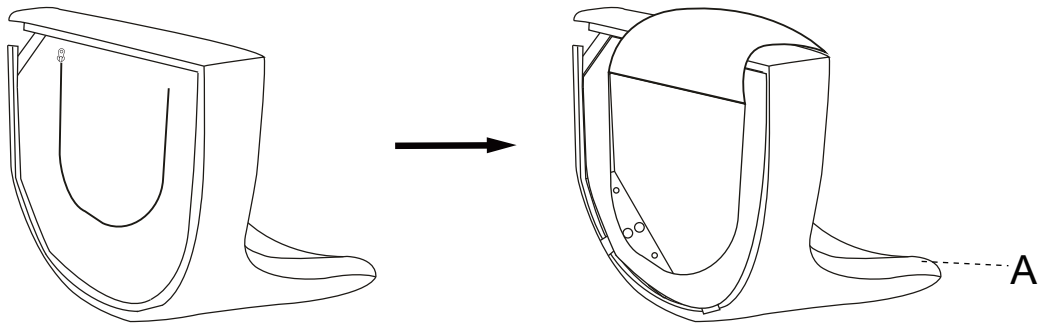
Step 1: Prepare the Components

Required components:

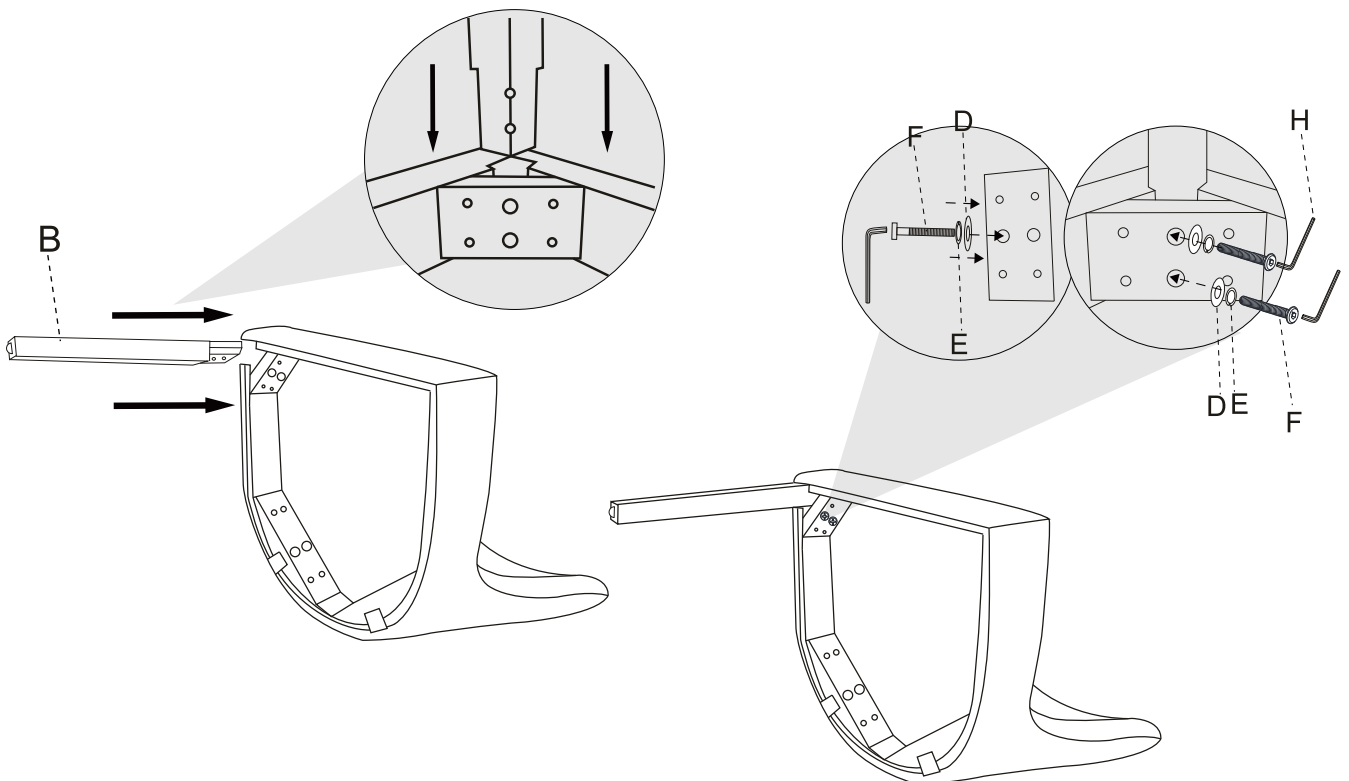
<p>Ax1</p>  <p>Seat</p>	<p>Bx2</p>  <p>Front leg</p>	<p>Cx2</p>  <p>Back leg</p>	<p>Dx8</p>  <p>Flat washer</p>
<p>Ex8</p>  <p>Spring washer</p>	<p>Fx4</p>  <p>M8x65mm Screw</p>	<p>Gx4</p>  <p>M8x55mm Screw</p>	<p>Hx1</p>  <p>M8 Allen key</p>

Step 2: Assemble the front Chair legs

- Open the zipper at the bottom of the chair.

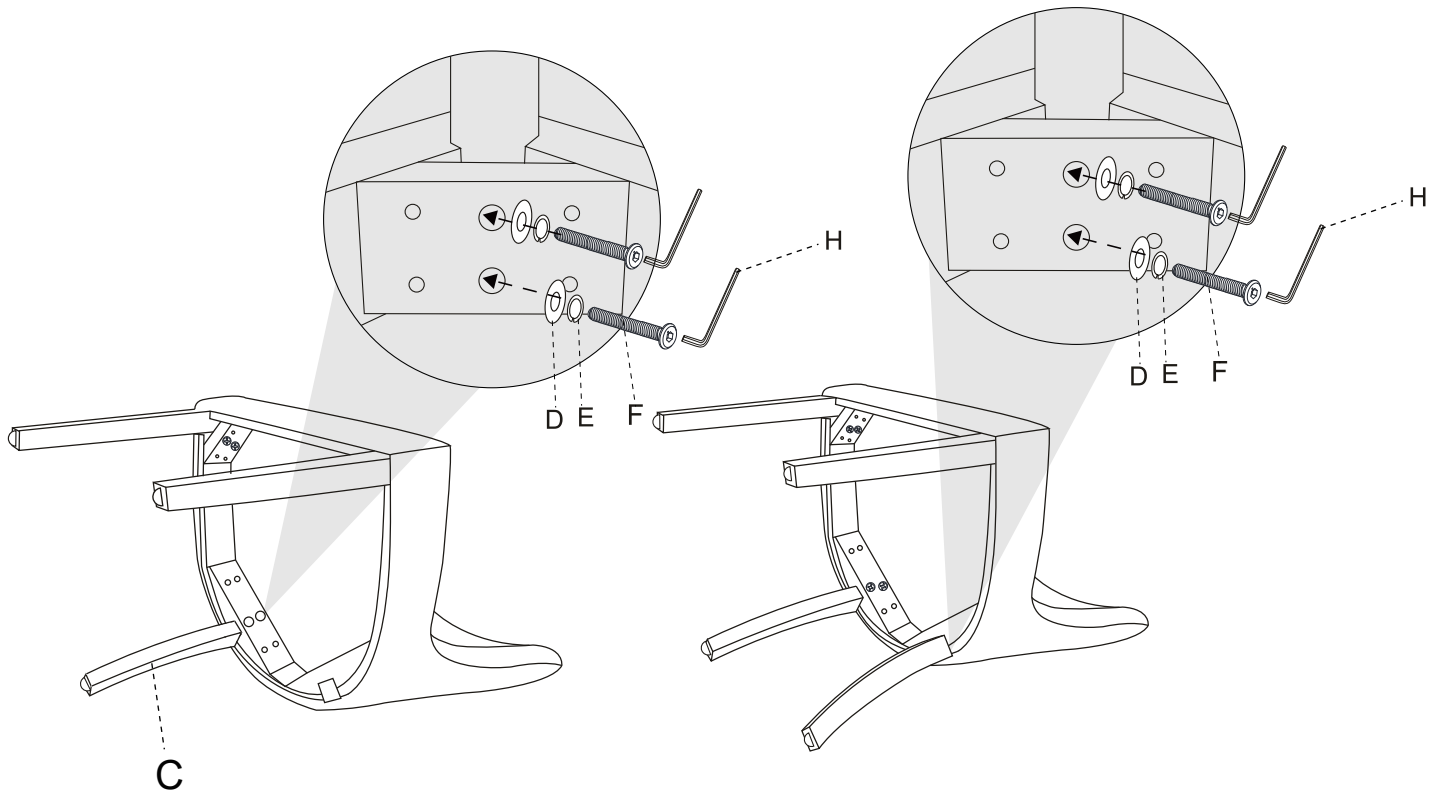
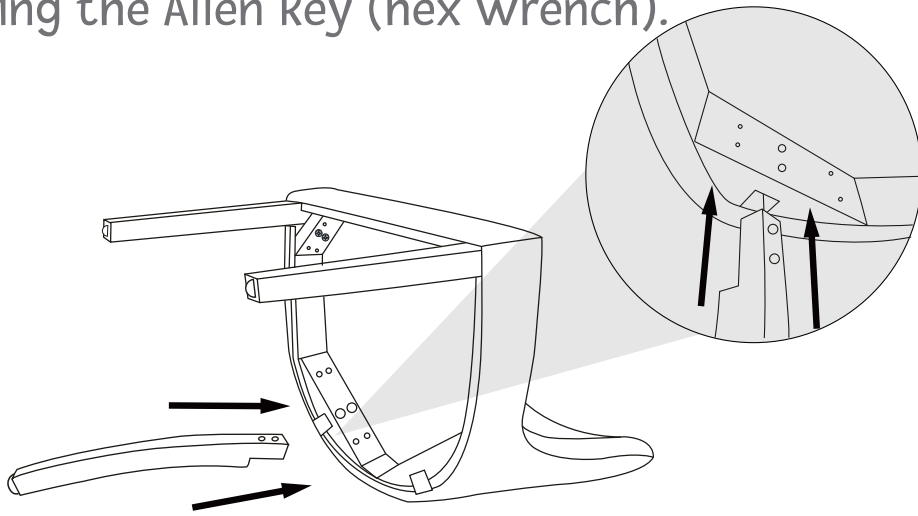


- Insert the armrest bar into the slot on the side of the chair frame. Insert the screws with washers into the holes and tighten them using the Allen key (hex wrench).



Step 3: Assemble the Back Chair legs

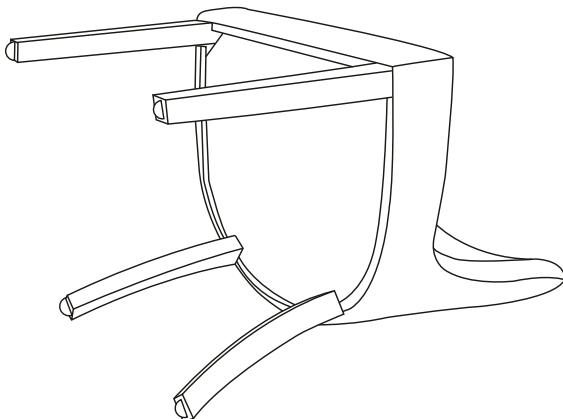
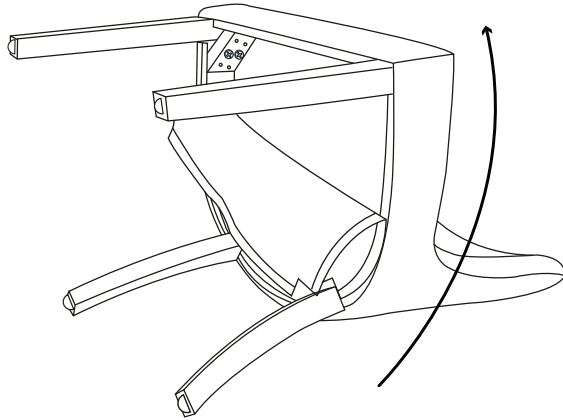
- Insert the back armrest bar into the slot on the side of the chair frame. Insert the screws with washers into the holes and tighten them using the Allen key (hex wrench).





Step 4: Zip up the chair.

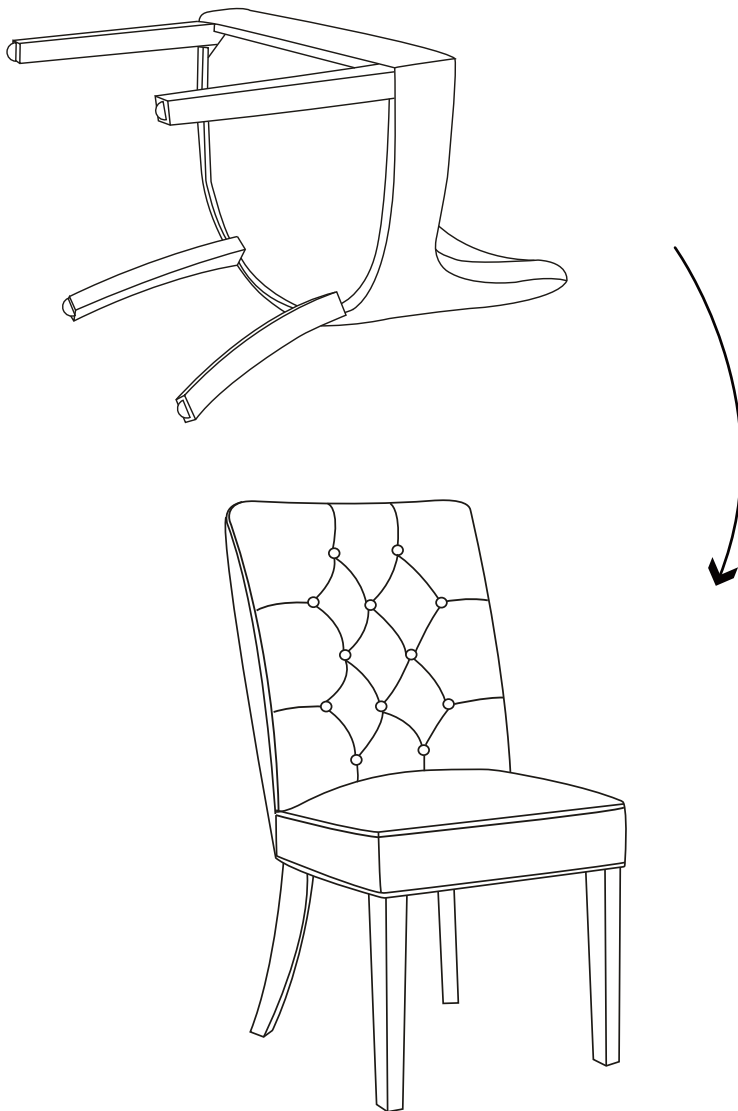
- After completing the assembly, close the zipper on the bottom of the chair.





Step 5: Tighten the Screw

- Once the installation is complete, place the chair in an upright position.



If you have any questions, please contact us at support@boxkinggaming.com.