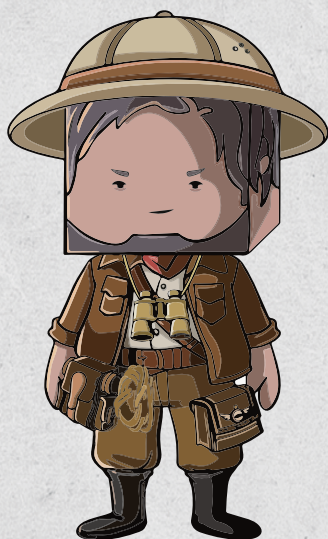


Solid Rubberwood Dining Chair with Linen Upholstery

2-Pack

INSTRUCTION MANUAL



NOBLE MAJESTY!

You've been waiting a while for your Project Rubberwood Dining Chair to arrive thank you for your patience,
Noble One!

Today is a glorious day! Project Chair ready to serve you in every future gaming session - it just needs a little assembly first...but we're here to help!

Our deepest thanks to every gracious Majesty who has supported and pre-ordered! Over the years, you've helped us take BoxKing Gaming from a flicker of imagination to a small but stalwart gaming company: from project Ironside BoxThrone board game shelves, and LAX RAX, and now Project KingSolid Rubberwood Dining Chair and many more in the future!

Feel free to tag us on Instagram, YouTube or Facebook once you've built your table! We'll share, retweet, or reply to your post!

Instagram: @BoxKing Gaming

YouTube: @BoxKing Gaming

Facebook: www.facebook.com/BoxKingGaming

You can also see other curious creations at
www.boxkinggaming.com

Onwards, your Majesty - your table awaits!

Humbly yours,
BoxKing Gaming





Daily Use Recommendations

- Designed for normal household dining use. Do not stand on the chair or rock it excessively.
- Avoid contact between the linen fabric and sharp objects, metal buckles, or pet claws.
- Keep indoors in a dry, well-ventilated area. Avoid prolonged direct sunlight.

Cleaning & Care

- Vacuum regularly using a soft brush attachment.
- Blot spills immediately with a clean white cloth. Do not rub.
- Use a professional fabric cleaner. Test on a hidden area first. Do not use bleach or hot water.
- Periodic Inspection
Every 3–6 months, check and tighten all screws to ensure stability and safety.



 Instagram



 Facebook

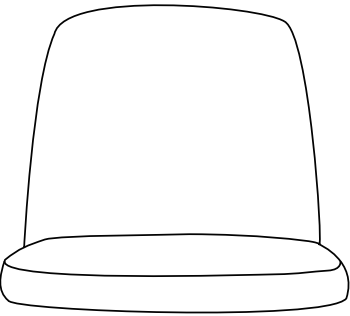
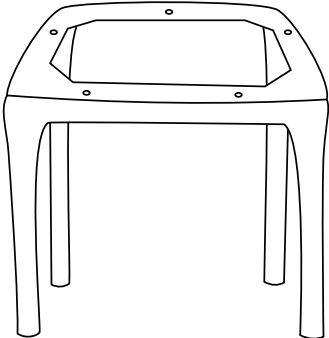
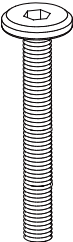
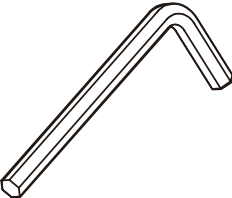



 Youtube

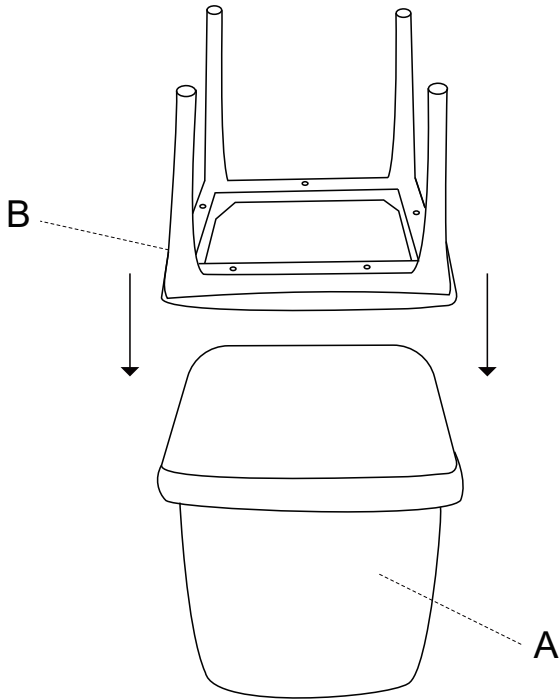


Step 1: Prepare the Components

Required components:

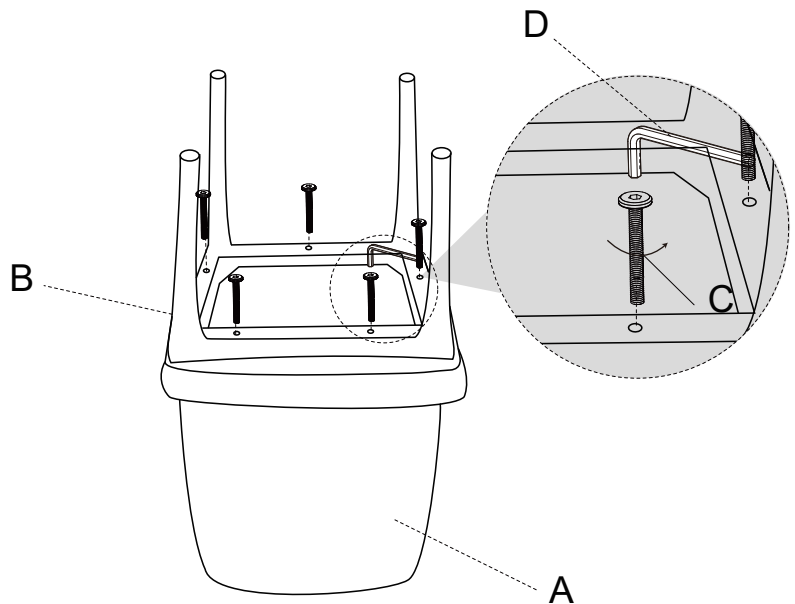
<p>A</p>  <p>x1</p> <p>Seat</p>	<p>B</p>  <p>x1</p> <p>Frame</p>	
<p>C</p>  <p>x5</p> <p>Screw</p>	<p>D</p>  <p>x1</p> <p>Allen key</p>	<p>E</p>  <p>x4</p> <p>Acoustic Foam</p>

Step 2: Secure the Chair Frame

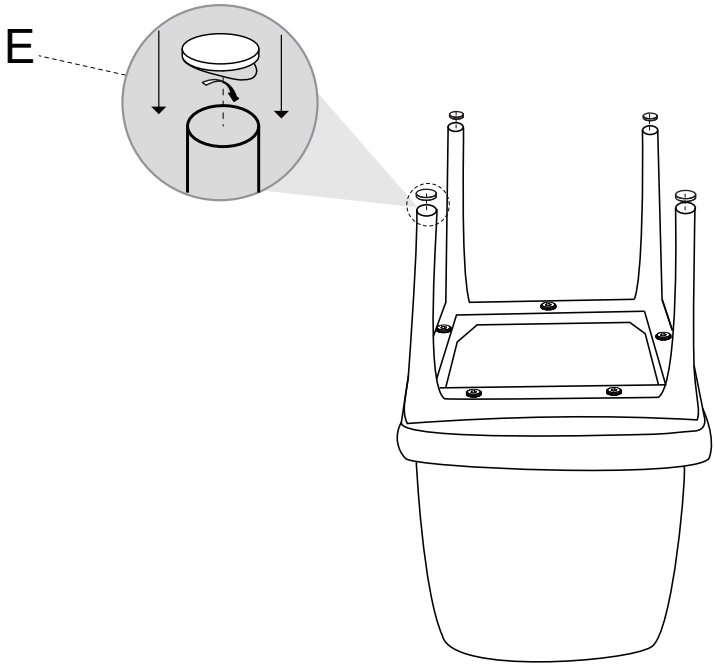


Position the chair frame (B) onto the underside of the seat cushion, aligning the mounting holes.

Insert the bolts (C) through the mounting holes in the chair frame (B) and into the seat base (A).

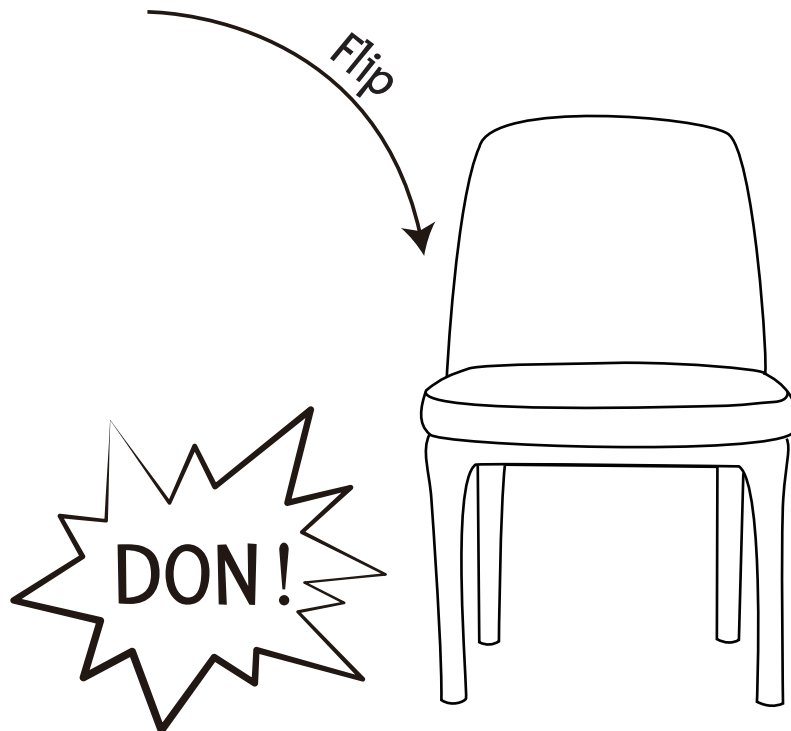


Step 3: Assemble the Back Chair legs Acoustic Foam



Press the acoustic foam firmly to ensure proper adhesion.

Make sure the acoustic foam is evenly attached without gaps, wrinkles, or lifting edges.



If you have any questions, please contact us at support@boxkinggaming.com.