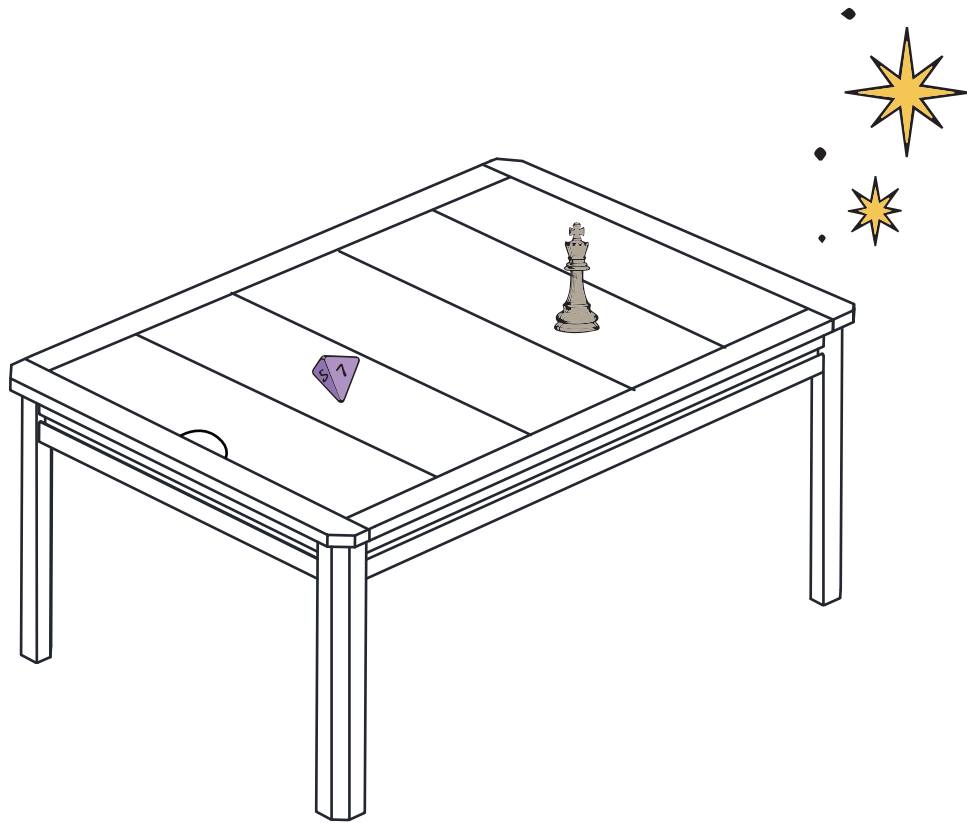


# THE KINGSWOOD GAME TABLE



Standard Kingswood(4×6'): The Royal Game Table  
LED strip version

**INSTRUCTION MANUAL**

# NOBLE MAJESTY!



You've been waiting a while for your Project Kingswood table to arrive thank you for your patience,  
Noble One!

Today is a glorious day! Project Kingswood stands ready to serve you in every future gaming session - it just needs a little assembly first...but we're here to help!

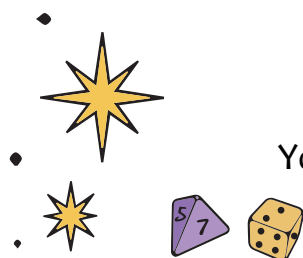
Our deepest thanks to every gracious Majesty who has supported and pre-ordered! Over the years, you've helped us take BoxKing Gaming from a flicker of imagination to a small but stalwart gaming company: from project Ironside BoxThrone board game shelves, and LAX RAX, and now Project Kingswood - and many more in the future!

Feel free to tag us on Instagram, YouTube or Facebook once you've built your table! We'll share, retweet, or reply to your post!

Instagram: @BoxKing Gaming

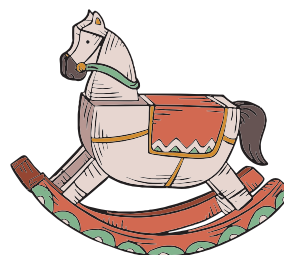
YouTube: @BoxKing Gaming

Facebook: [www.facebook.com/BoxKingGaming](http://www.facebook.com/BoxKingGaming)



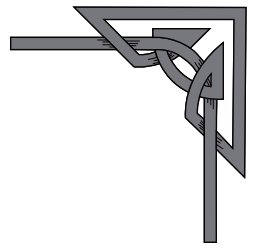
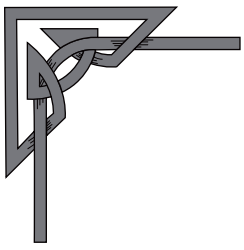
You can also see other curious creations at

[www.boxkinggaming.com](http://www.boxkinggaming.com)



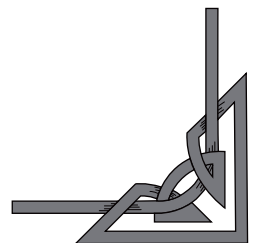
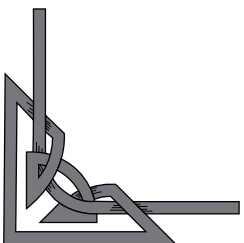
Onwards, your Majesty - your table awaits!

Humbly yours,  
BoxKing Gaming

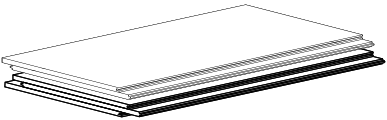
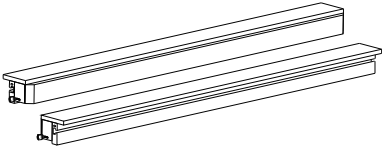
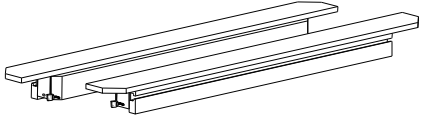
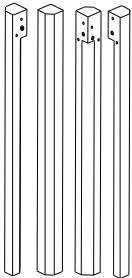
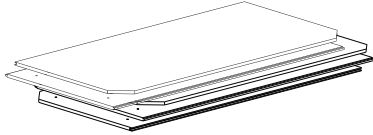

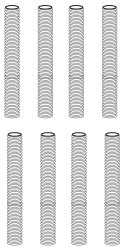
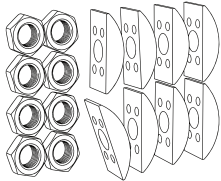
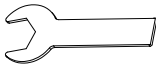
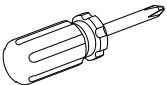
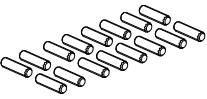
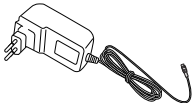
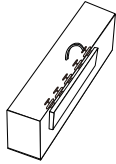


## SAFETY WARNINGS

- After assembly, tighten all screws and bolts every 4-6 months.
- This table contains SMALL PARTS - Keep children under 3years old AWAY from the table at all times!
- The maximum weight the gaming surface can support 70 kg (154 lbs).
- The maximum total weight the entire table can safely support 150 kg (331 lbs).
- To clean wood, use a slightly damp cloth.
- If the Kingswood package arrives damaged or incomplete, please contact customer service.
- Keep wood surfaces dry, and dry immediately if wet.



## Step 1: Prepare the Components

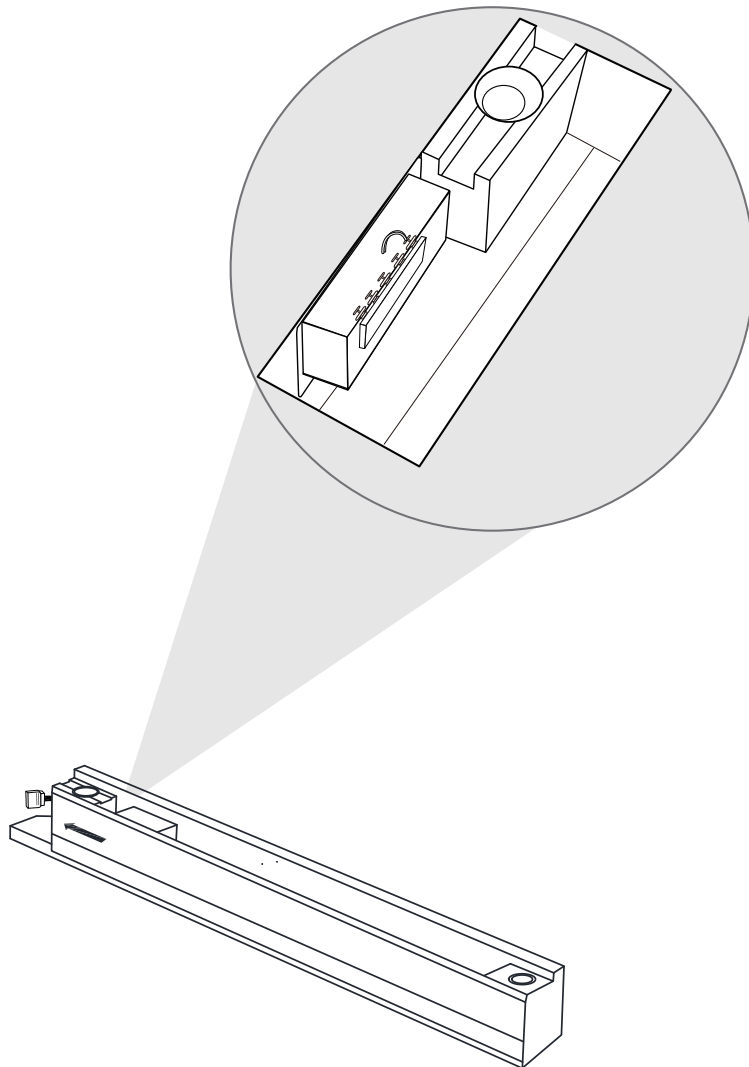
<p>1</p>  <p>wooden cover panels x5</p>	<p>2</p>  <p>Table long frame x2</p>	<p>3</p>  <p>Table short frame x2</p>	
<p>4</p>  <p>Table legs x4</p>	<p>5</p>  <p>Bottom panels x5</p>	<p>6</p>  <p>Screws x34</p>	
<p>7</p>  <p>Cam bolt x8</p>	<p>8</p>  <p>Cam lock x8</p>	<p>9</p>  <p>Wrench x1</p>	
<p>10</p>  <p>Phillips screwdriver x1</p>	<p>11</p>  <p>Wood dowel x16</p>	<p>12</p>  <p>Power Supply x1</p>	<p>13</p>  <p>Controller x1</p>



## Step 2: Check the Controller

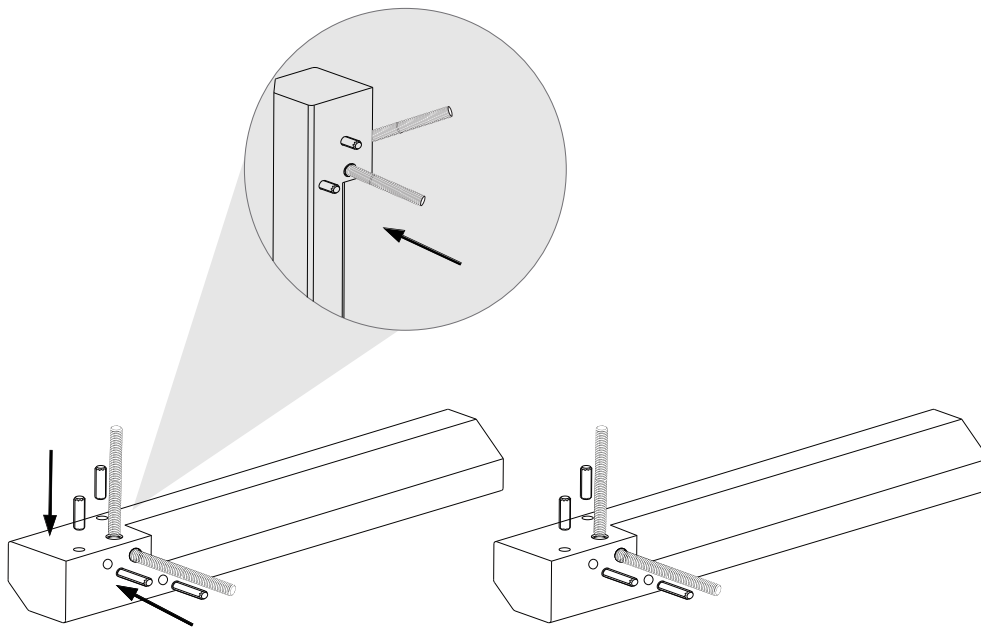
---

- Please check that the controller is properly installed inside the wooden table frame.

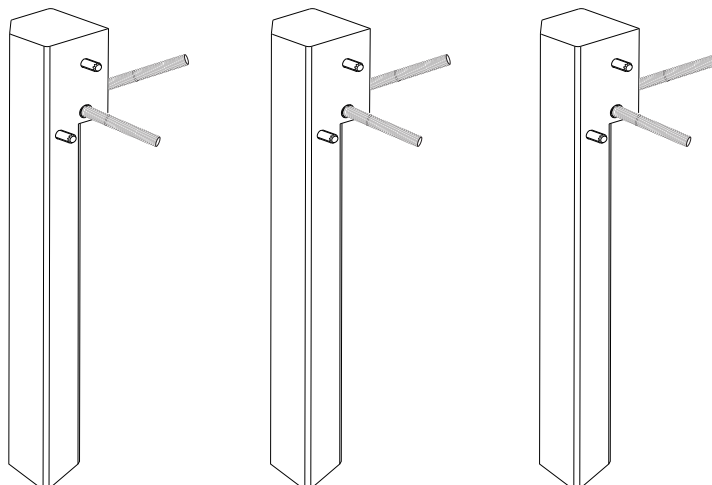


### Step 3: Pre-Install the Cam Bolt and Wood Dowel

- Take one table leg and insert 1 cam bolt into the holes on the leg with screwdriver, insert 1 wood dowel into the wood dowel holes on the leg. Use the Screwdriver to tighten the cam bolt.



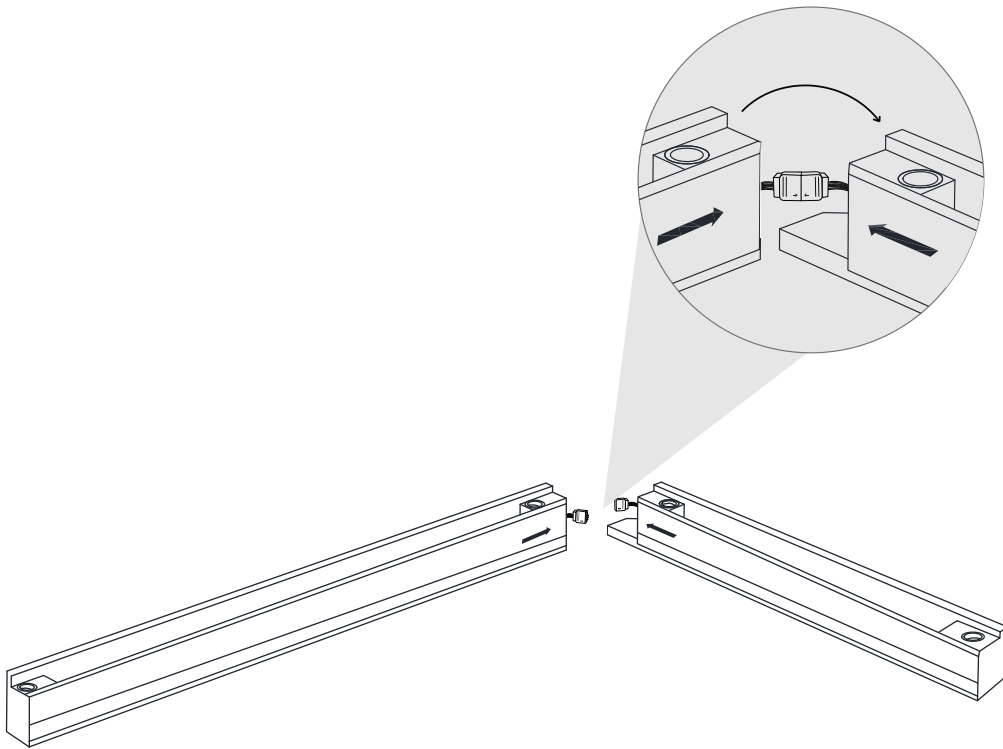
- Follow the same process to install the remaining 7 cam bolts and wood dowels into the other table legs.



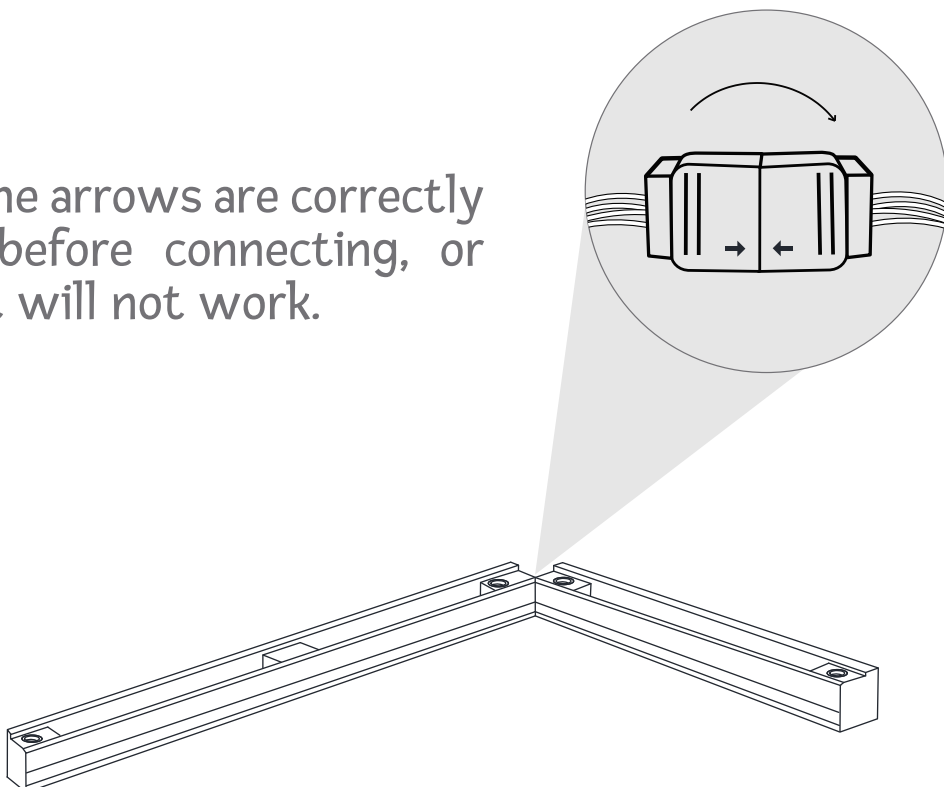


## Step 4: Connect the Connectors

- Connect the connectors of the two adjacent frame light strips.

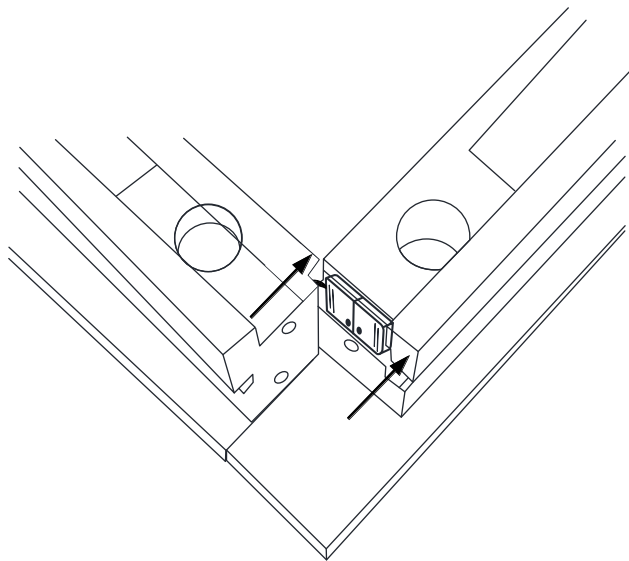
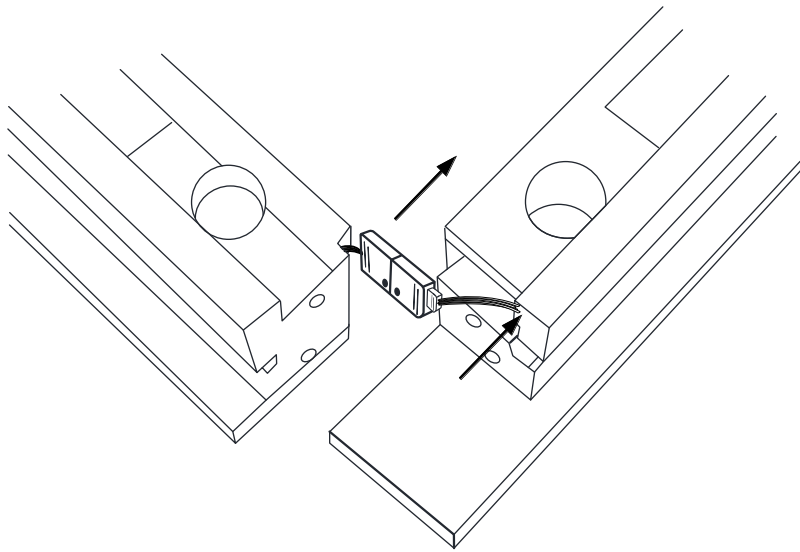


- Ensure the arrows are correctly aligned before connecting, or the light will not work.



## Step 5: Insert the Connectors

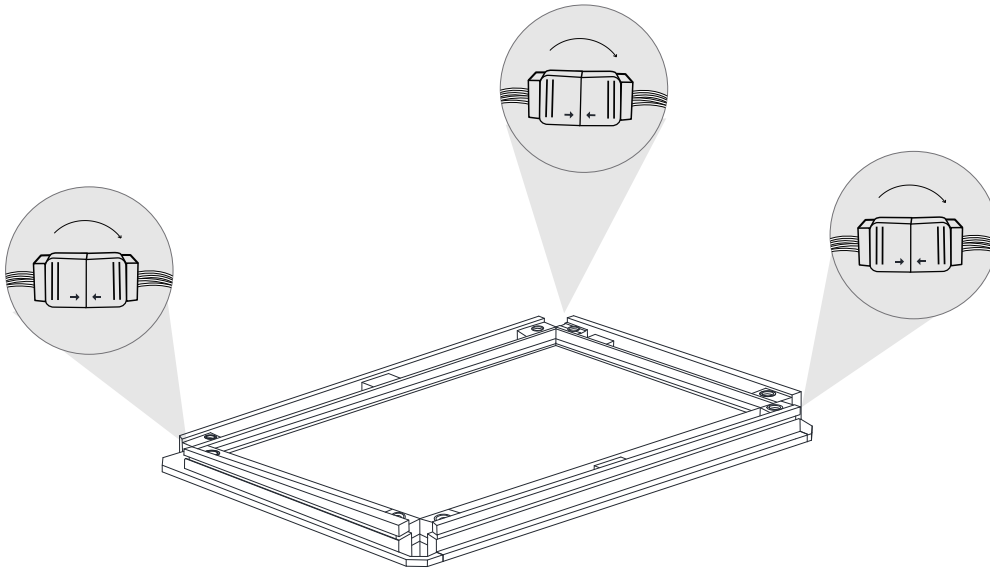
- Insert into the reserved hole of the frame after connection.



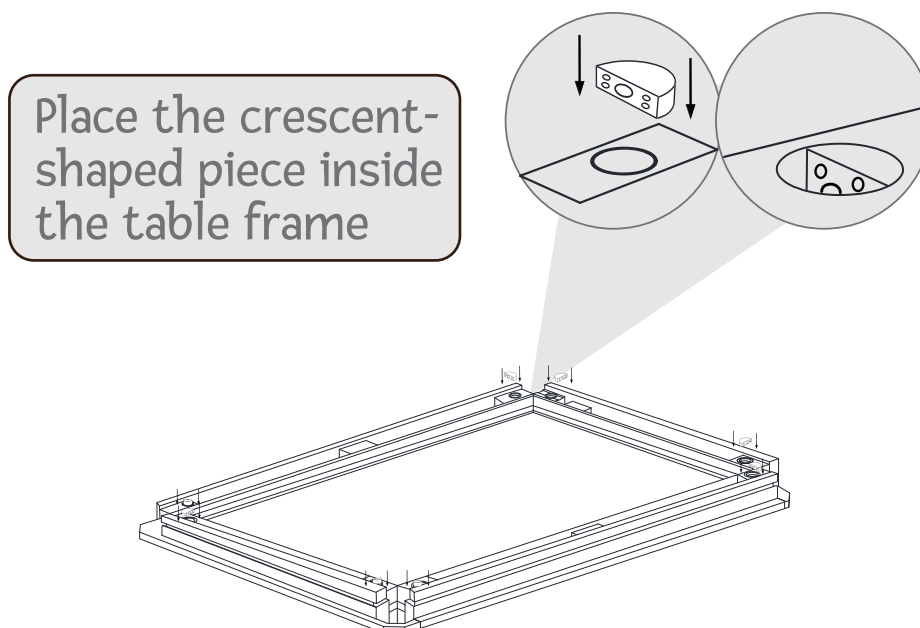


## Step 6: Wooden Table Frame Assembly

- Follow the same process and assemble the wooden table frame place flat on the ground.

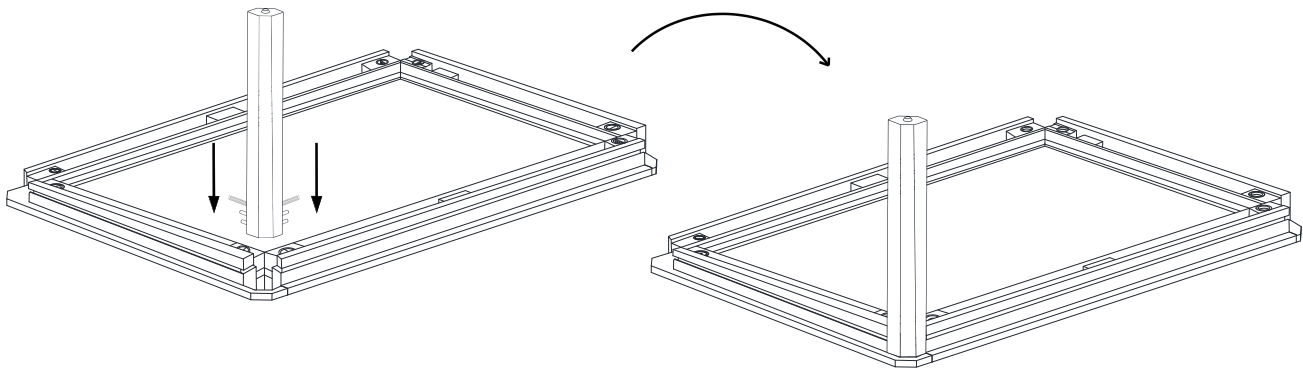


- Insert 4 cam locks into each frame.



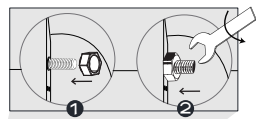
## Step 7: Assemble the Table Legs

- Insert the table legs into the wooden table frame.

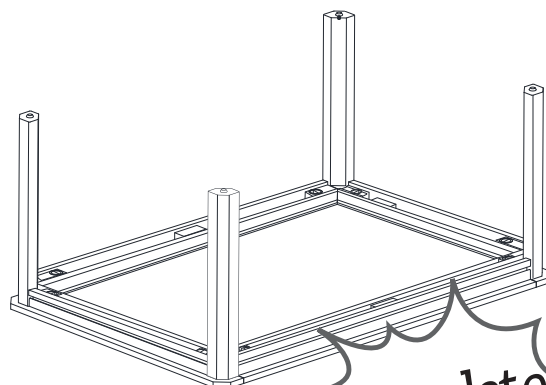
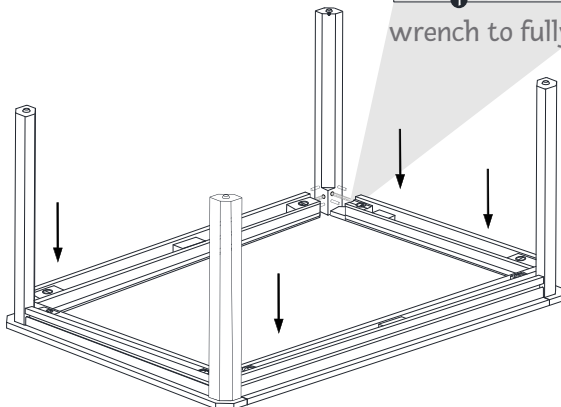


- Repeat the same process for the other three table legs, aligning them with the triangular holes on the tabletop.

Insert the screws from the table leg into the holes of the crescent piece.



wrench to fully tighten

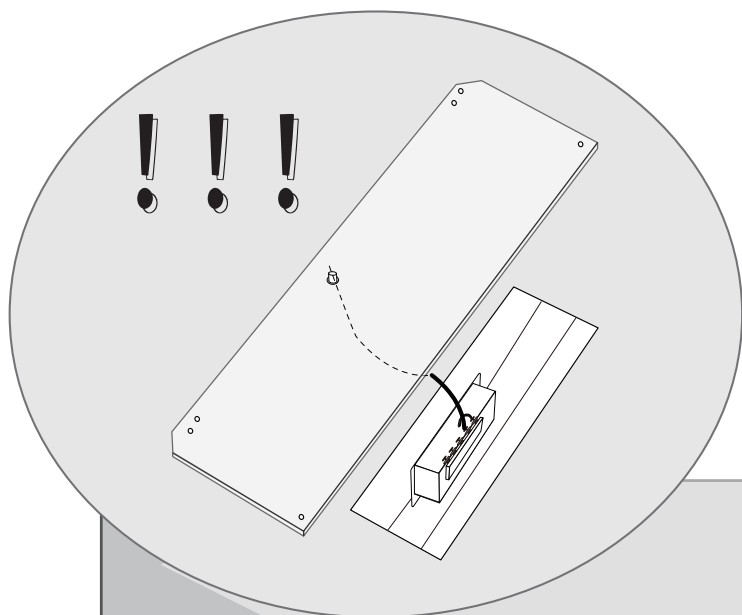


Use the wrench to tighten all cam lock securely.

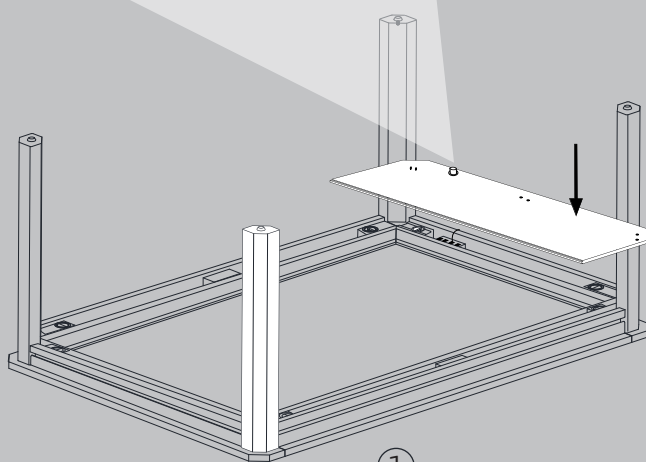


## Step 8: Check the Controller

- Install the First Bottom Panel.



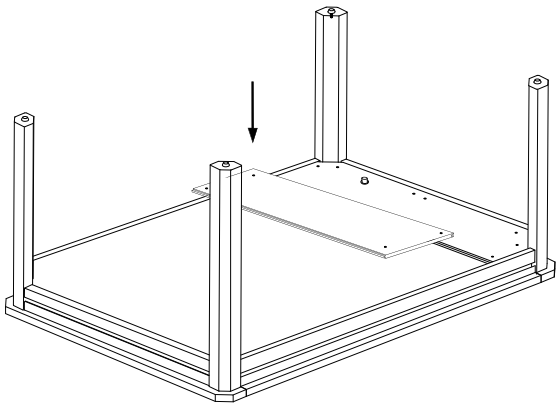
Check the position of the controller cable before installing the panel.



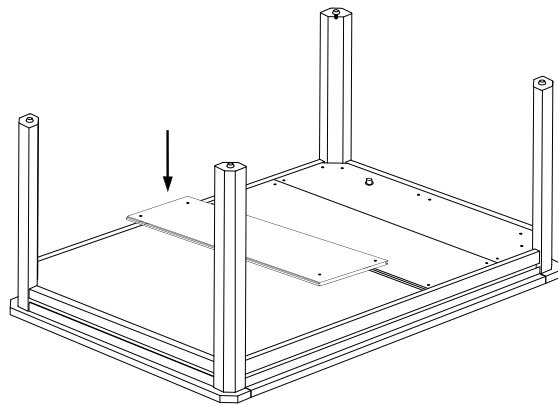
Install the first bottom panel at the controller cable location.

## Step 9: Install the Bottom Panels

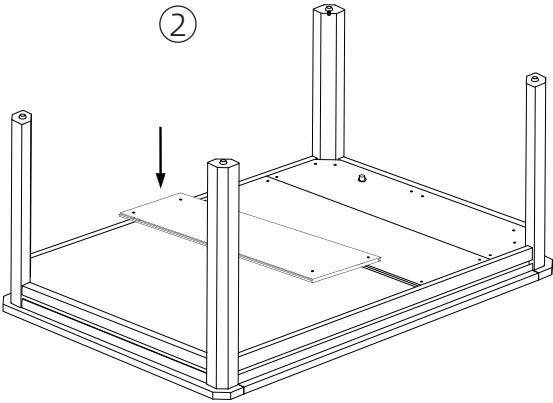
- Place the bottom panels into the recessed slots on the table bottom.



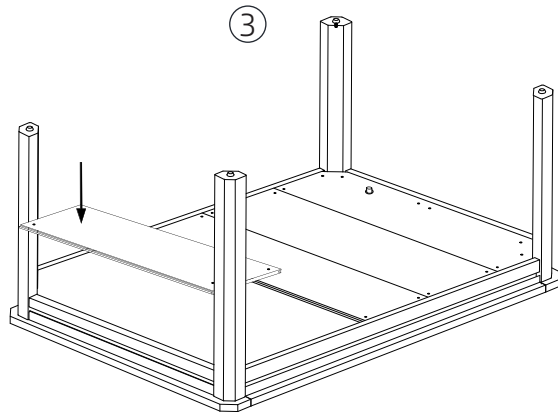
②



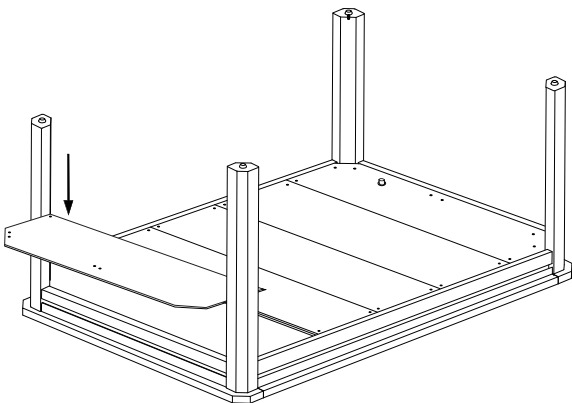
③



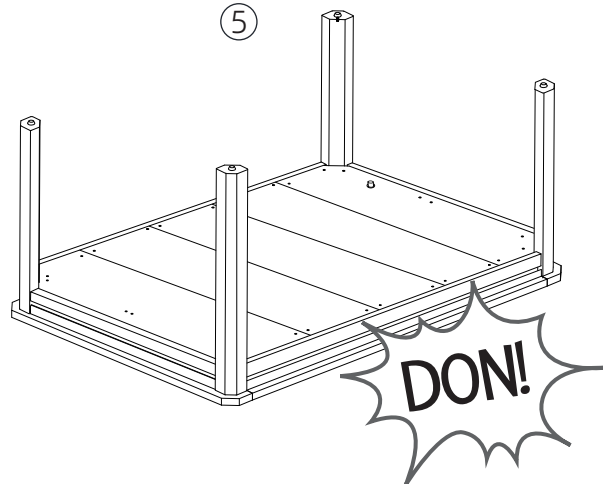
④



⑤



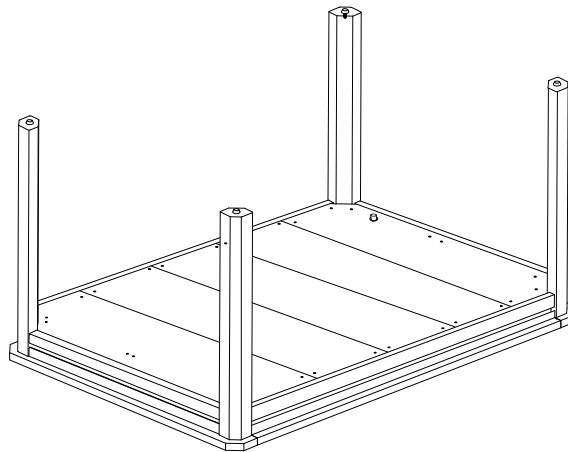
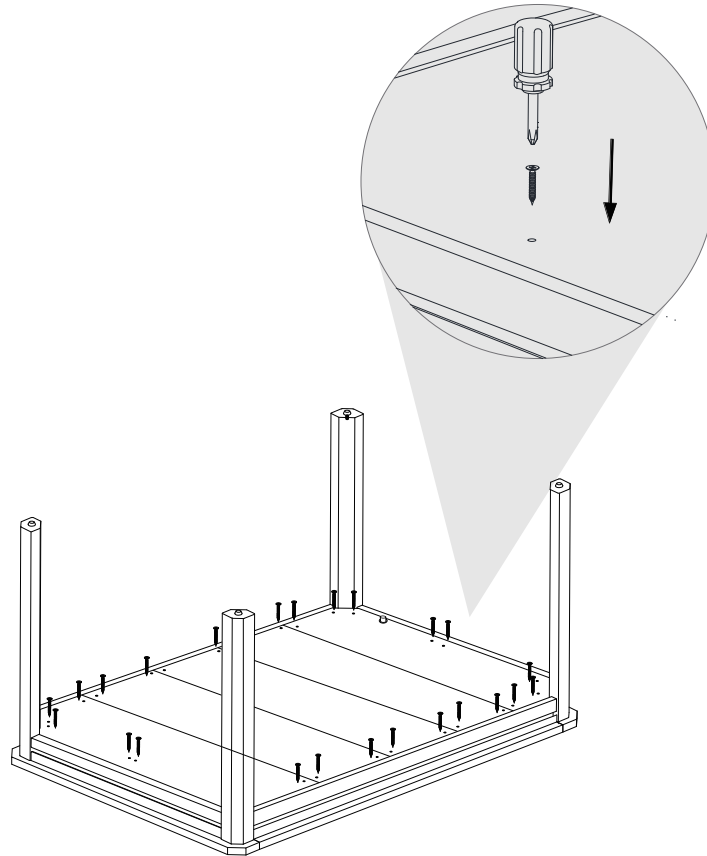
⑥





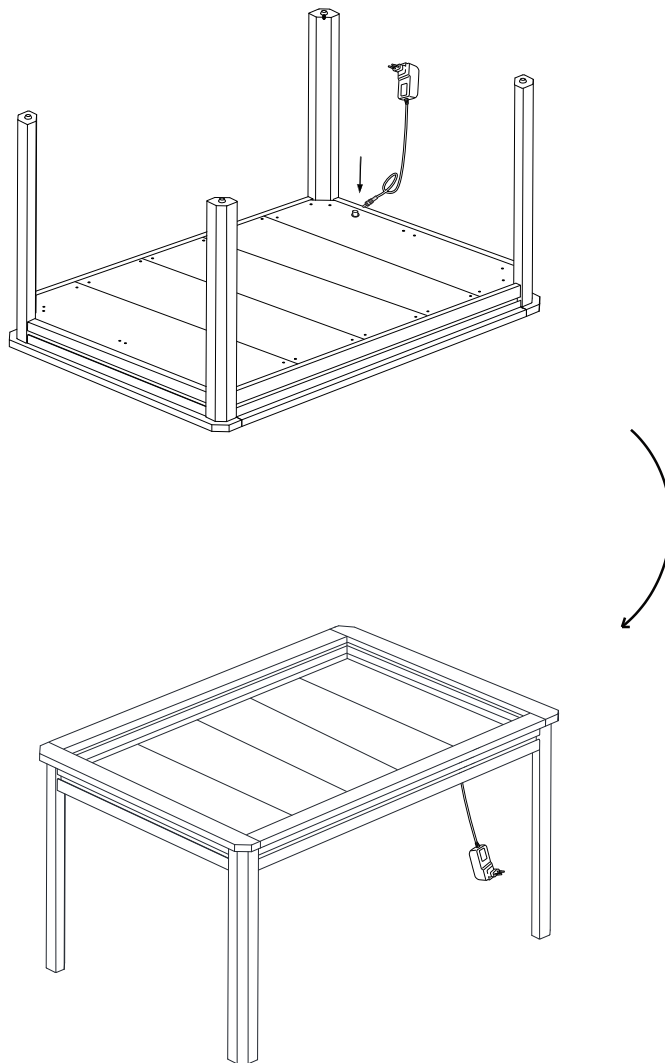
## Step 10: Tighten the Screw

- Use the screwdriver to tighten the screw.



## Step 11: Flip the Table

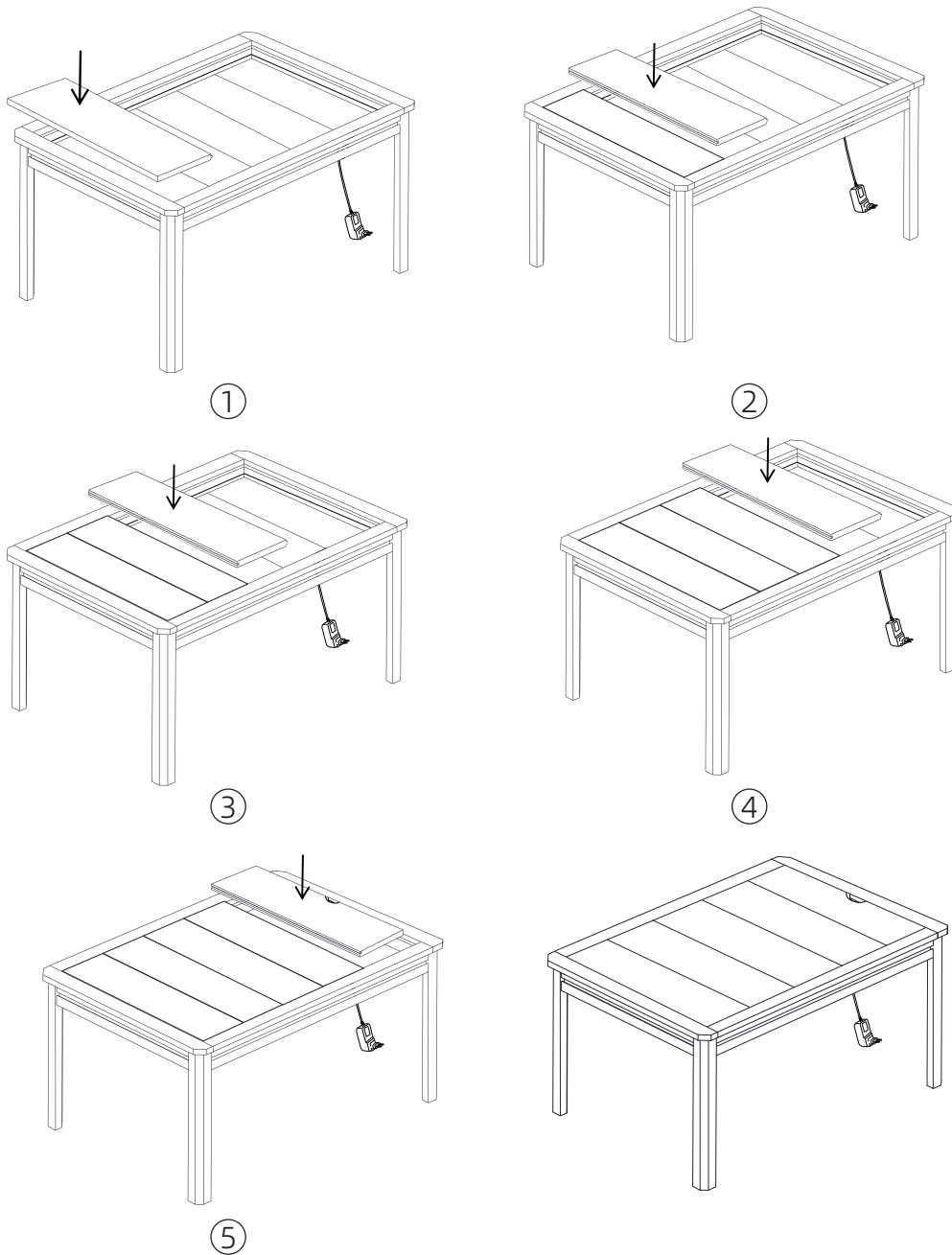
- Once all the panels are secured, connect to the power supply and flip the table upright so the tabletop is facing up.





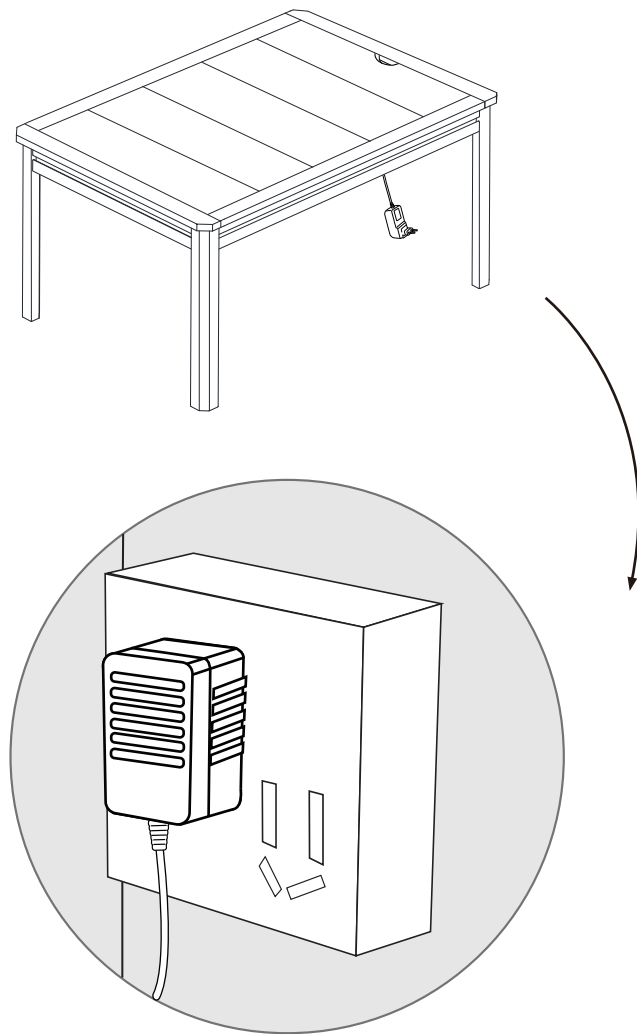
## Step 12: Complete the Assembly

- Place five wooden cover panels into the recessed slots on the tabletop, assembly is now complete!



## Step 8: Connect the charger to the power source

- Plug the power cord into the wall outlet.



Instagram



Facebook



Youtube

If you have any questions, please contact us at [support@boxkinggaming.com](mailto:support@boxkinggaming.com).