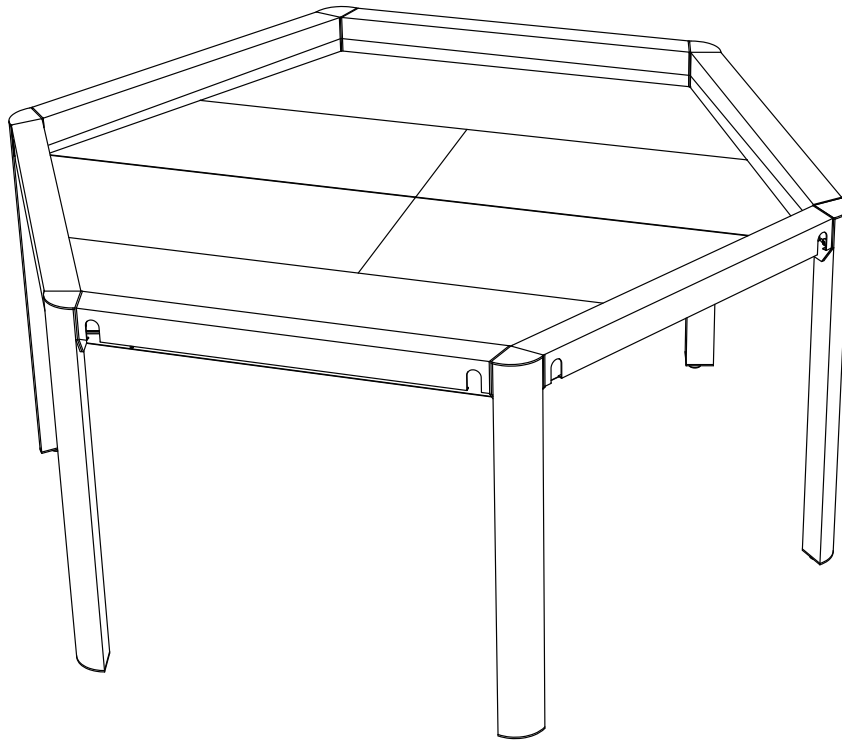
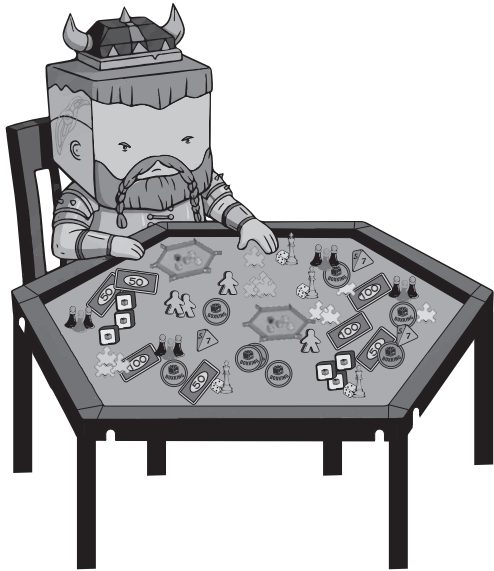


# PROJECT IRONSIDE



**IRONSIDE HEX GAME TABLE  
INSTRUCTION MANUAL**

# NOBLE MAJESTY!



You've been waiting a while for your Project Ironside table to arrive thank you for your patience,

Noble One!

Today is a glorious day! Project Ironside stands ready to serve you in every future gaming session - it just needs a little assembly first...but we're here to help!

Our deepest thanks to every noble backer who supported the Kickstarter campaign, and to every gracious Majesty who has pre-ordered since! Over the years, you've helped us take Cloud Puncher Games from a flicker of imagination to a small but stalwart gaming company: from BoxThrone board game shelves, to Token Sesame and LAX RAX, and now Project Ironside - and many more in the future!

Feel free to tag us on Instagram, YouTube or Facebook once you've built your table! We'll share, retweet or reply to your post!

Instagram: @BoxKing Gaming

YouTube: @BoxKing Gaming

Facebook: [www.facebook.com/BoxKingGaming](http://www.facebook.com/BoxKingGaming)

You can also see other curious creations at

[www.boxkinggaming.com](http://www.boxkinggaming.com)

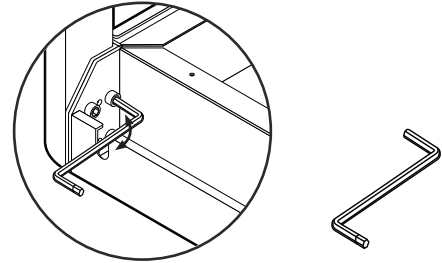
Onwards, your Majesty - your table awaits!

Humbly yours BoxKingGaming



## READ THIS FIRST! ASSEMBLY TIPS:

- To avoid scratches, build on a carpeted surface or blanket.
- When tightening screws with the Allen key – use the long side first, then tighten with the short side.
- The long side of the Allen key can be used AT AN ANGLE! This makes it easier to screw bolts deeper inside rail.
- Bolts can be attached to the end of the long side of the Allen key. Once they are attached to the end you can guide them to the holes.
- If a step uses a nut: use the wrench to hold the nut in place and the Allen key to tighten the bolt.
- Playmats might be creased from shipping. You can flatten your playmats by:
  - 1.Placing a towel or thick sheet over the playmat.
  - 2.Using an iron on medium or low settings to iron out the wrinkles.  
(Don't iron the playmats directly, use the iron on the sheet or towel.)
  - 3.Make sure to iron the edges of the playmat as well to flatten them.

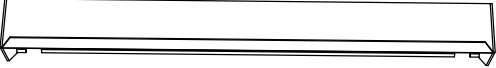
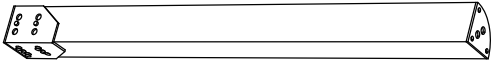
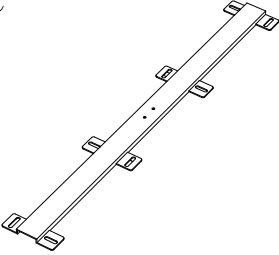



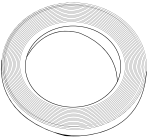


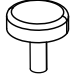
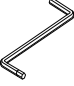


If you have assembly questions, please email us at [support@boxkinggaming.com](mailto:support@boxkinggaming.com)

## SAFETY WARNINGS

- After assembly, tighten all screws and bolts every 4–6 months. This table contains SMALL PARTS – Keep children under 3 AWAY from the table at all times!  
Maximum table load is 100kg (220lbs).
- Maximum table load of table with Bar Height Extenders is 80kg (176lbs). For best care, keep Project Ironside out of direct sunlight and in an environment 19–29°C (66–84°F).
- To clean wood, use a slightly damp cloth.
- Do not use Project Ironside if the environmental temperature is under 5°C (41°F) or over 35°C (95°F).
- Parts of Project Ironside have been treated, coated and/or polished, but do not use Project Ironside if any parts contain rust or jagged edges. Keep metal surfaces dry, and dry immediately if wet.

# TABLE OF CONTENTS

<p>A</p>  <p>x6 Table Frame</p>	<p>B</p>  <p>x6 Table Leg</p>			
<p>C</p>  <p>x1 Connecting Rod</p>	<p>D</p>  <p>x2 Table Frame</p>	<p>E</p>  <p>x2 Table Frame</p>	<p>F</p>  <p>x2 Table Frame</p>	
<p>G</p>  <p>x1 Acoustic Foam</p>	<p>H</p>  <p>x8 M8 screw</p>	<p>I</p>  <p>x48 Nut</p>	<p>J</p>  <p>x6 Adjustable Foot</p>	<p>K</p>  <p>x1 Hex key</p>

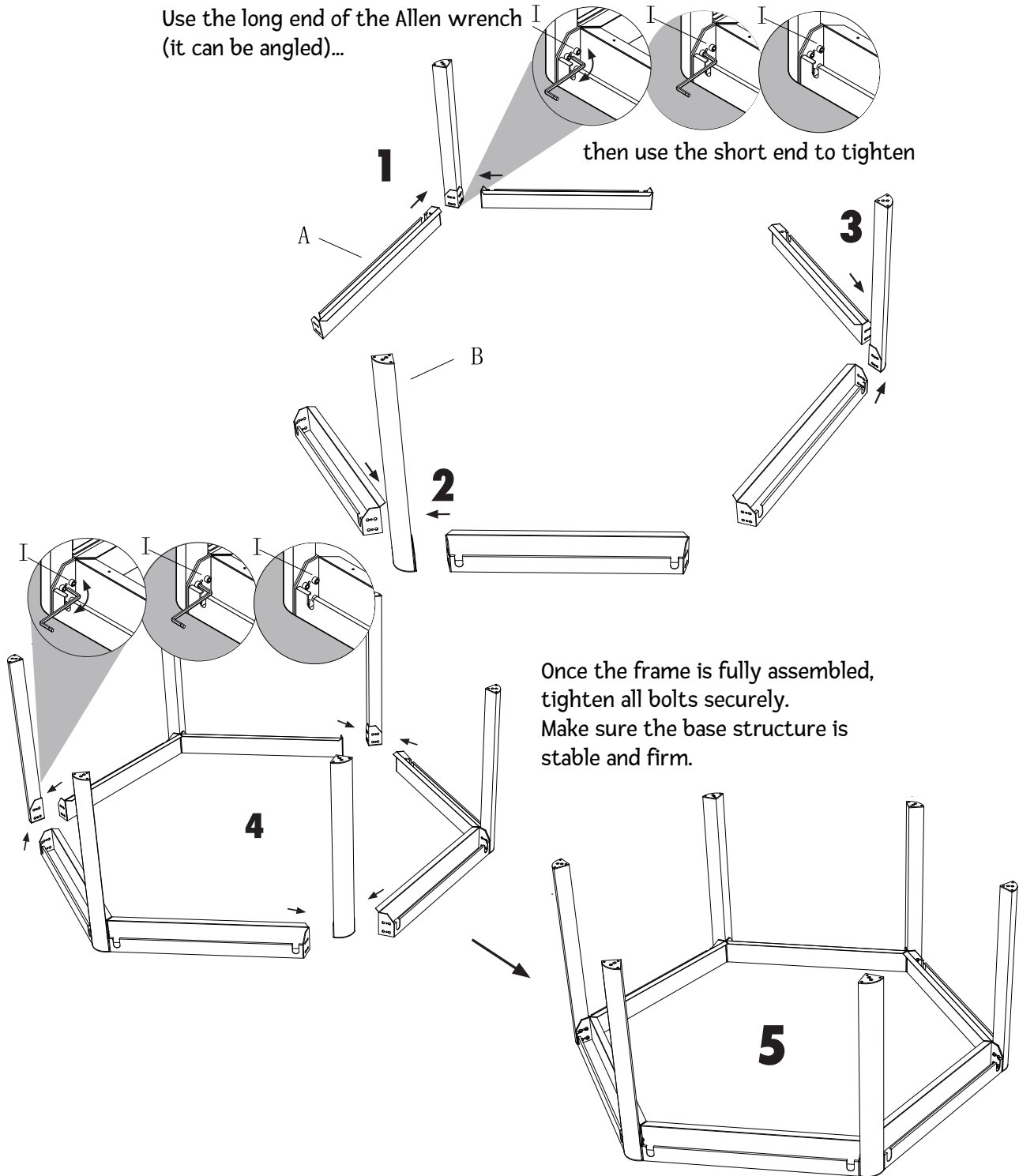
Special reminder: Do not tighten the screws until all frames and table legs are assembled.



**Important:**  
Two people are required for assembly.

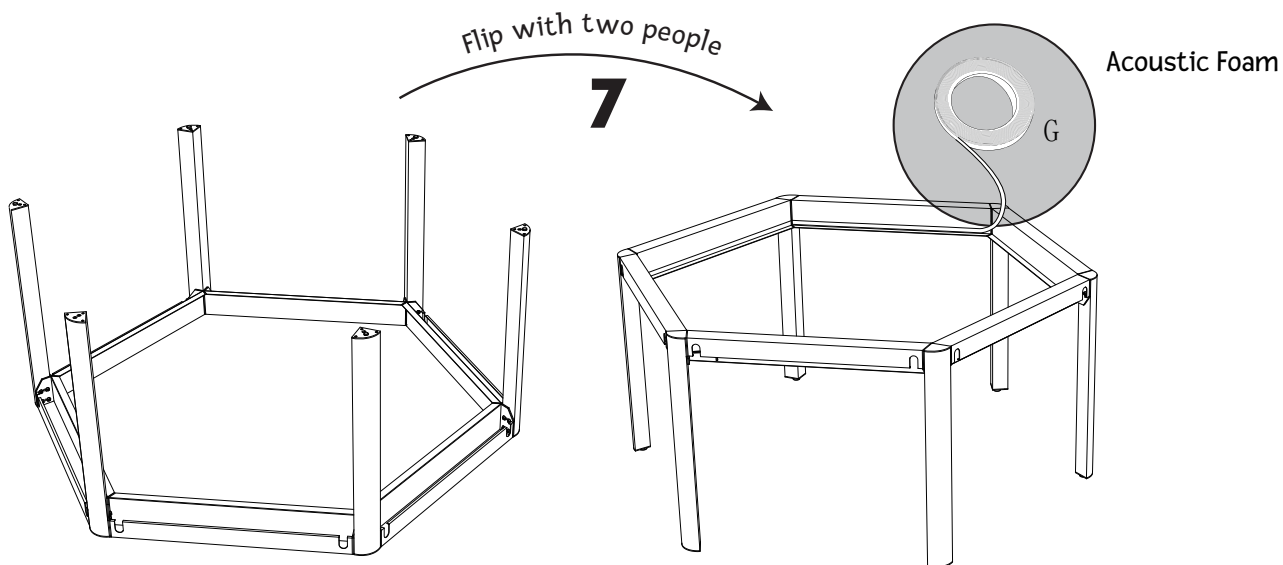
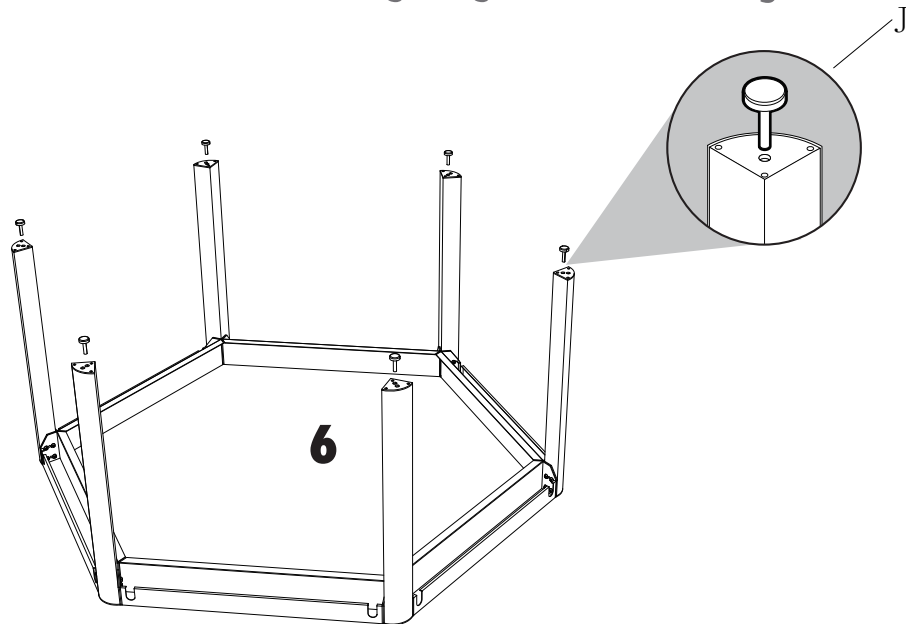
## Step 1: Attach the Table Frame

- Attach the side rails to both sides of the table leg.
- Use the Allen wrench to secure them.



## Step 2: Attach the Table Frame

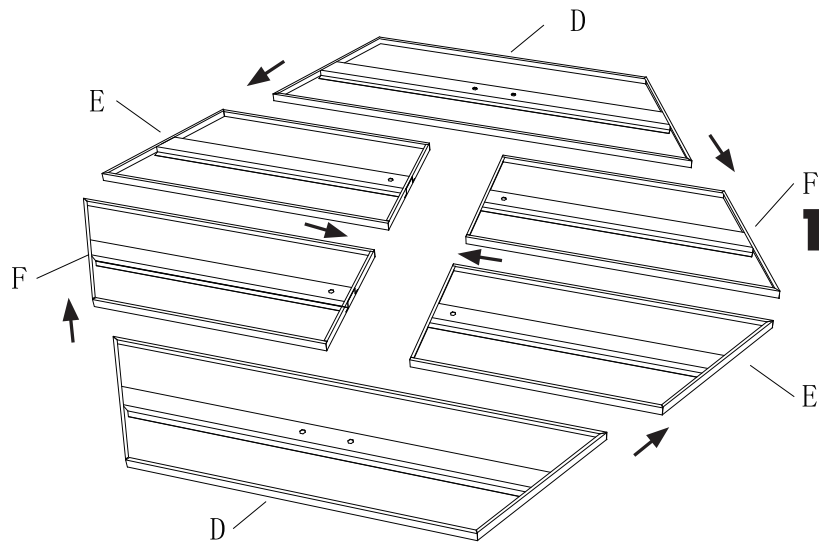
- Screw the adjustable feet into the threaded holes at the bottom of each table leg. Tighten securely.



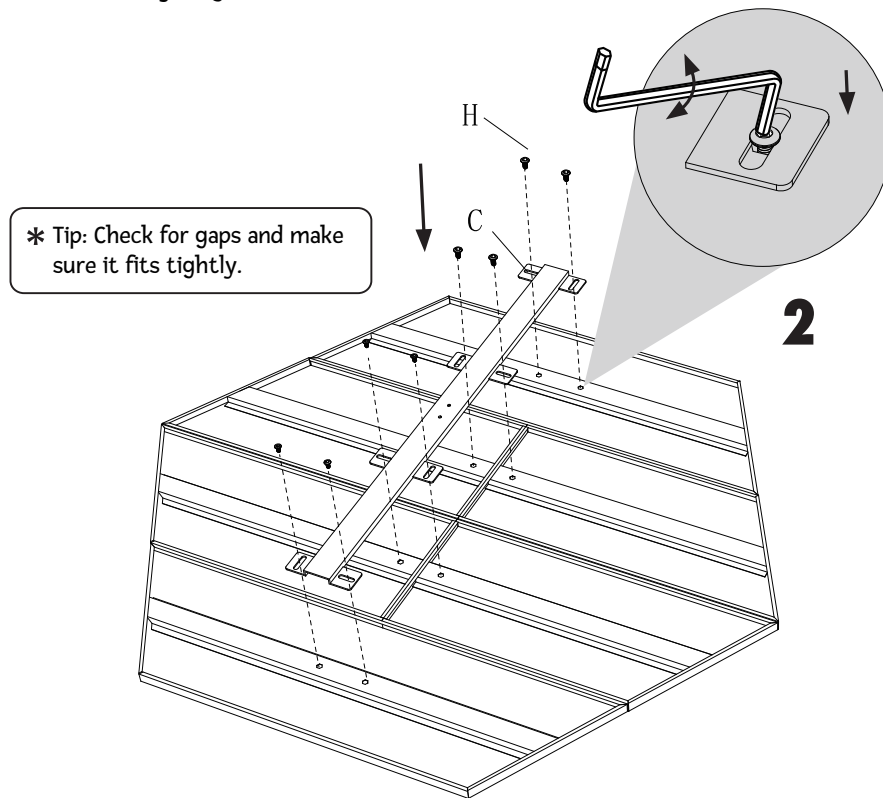
Attach the acoustic foam to the inner side of the table frame.

## Step 3: Attach the Table Frame

- Insert the bottom panels, ensuring they fit closely together with no gaps. Insert the remaining bottom panels, ensuring they fit closely together with no gaps.



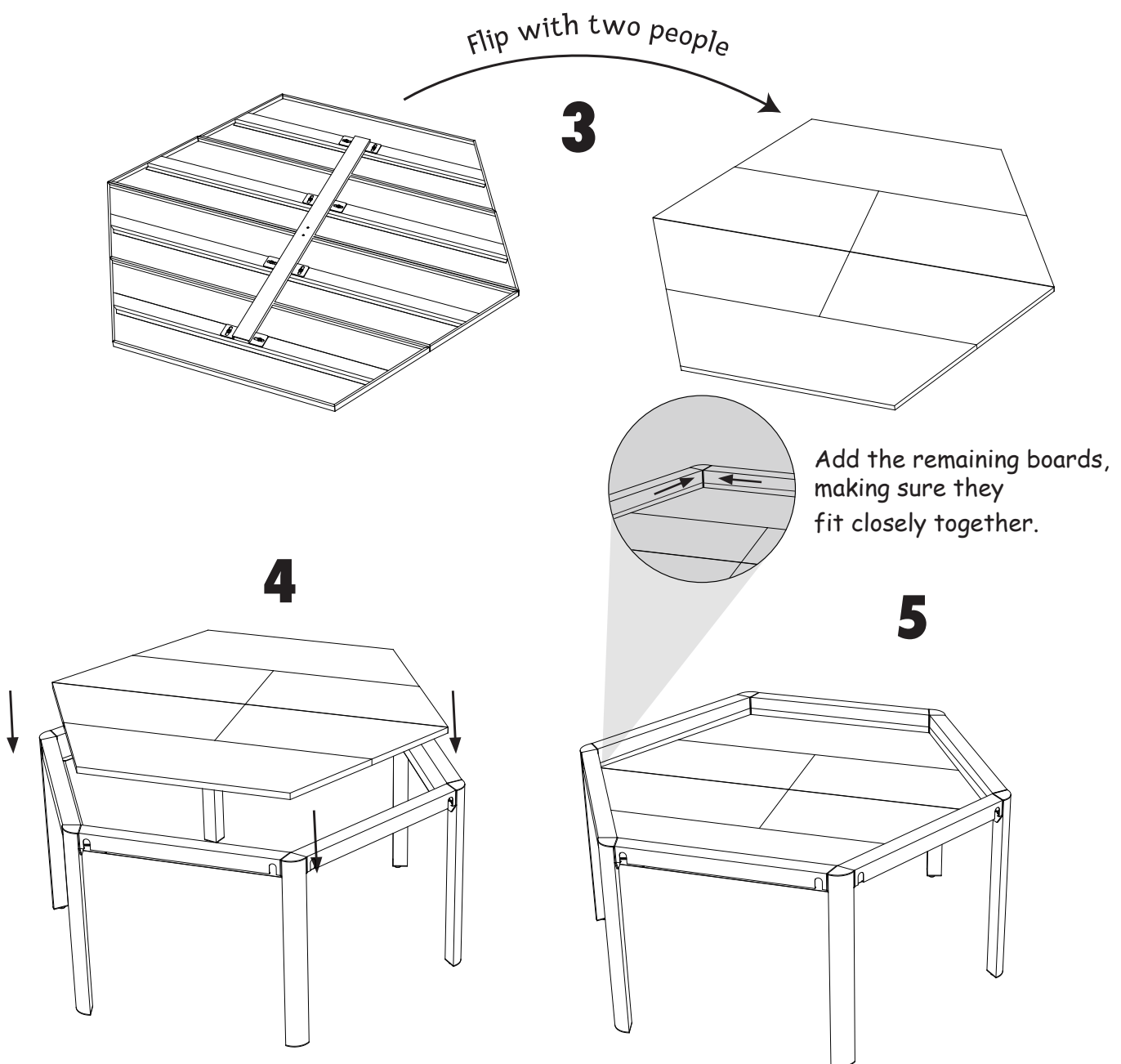
Add the remaining boards, making sure they fit closely together.



## Step 4: Attach the Table Frame







---

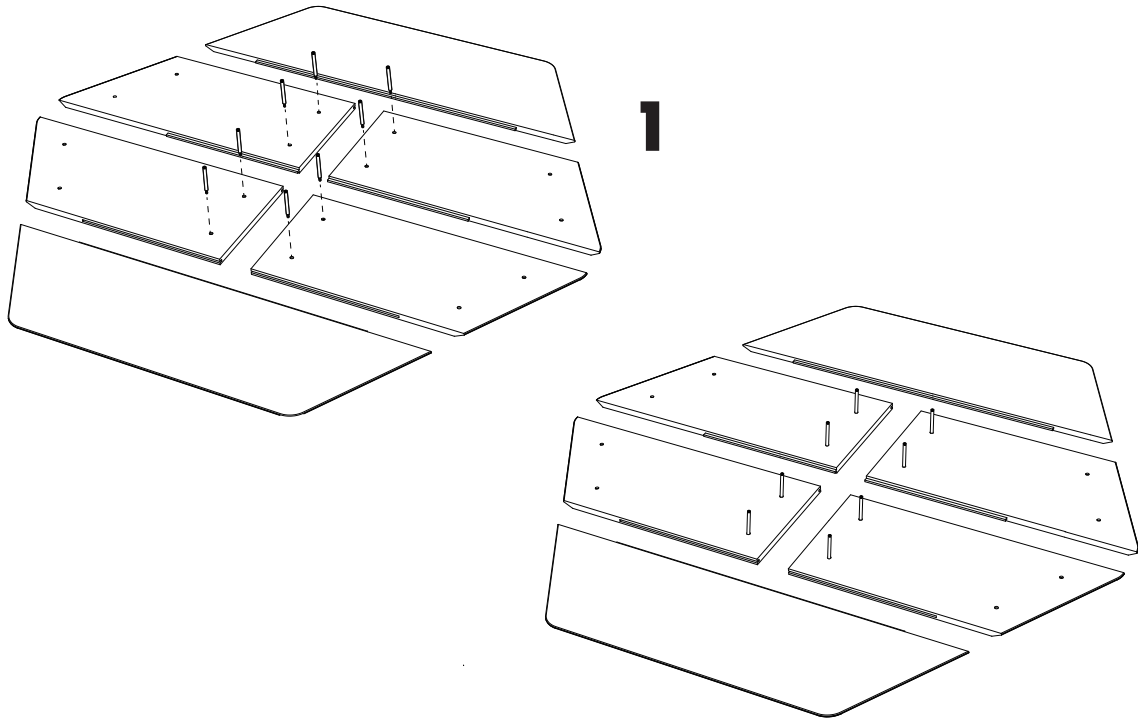
- With two people, carefully flip the base upright. Place the assembled base panel onto the table frame, aligning it with the support structure. Install the remaining panels, ensuring all boards fit tightly together with no gaps.



## Step 5: Assemble the Tabletop

- Install the screws into the tabletop panels and tighten securely. After assembly, carefully flip the tabletop upright.

 x2 Tabletop	 x2 Tabletop	 x2 Tabletop
 x8 Stud Bolt	 x18 Rubber Patches	 x8 Coaster Disc

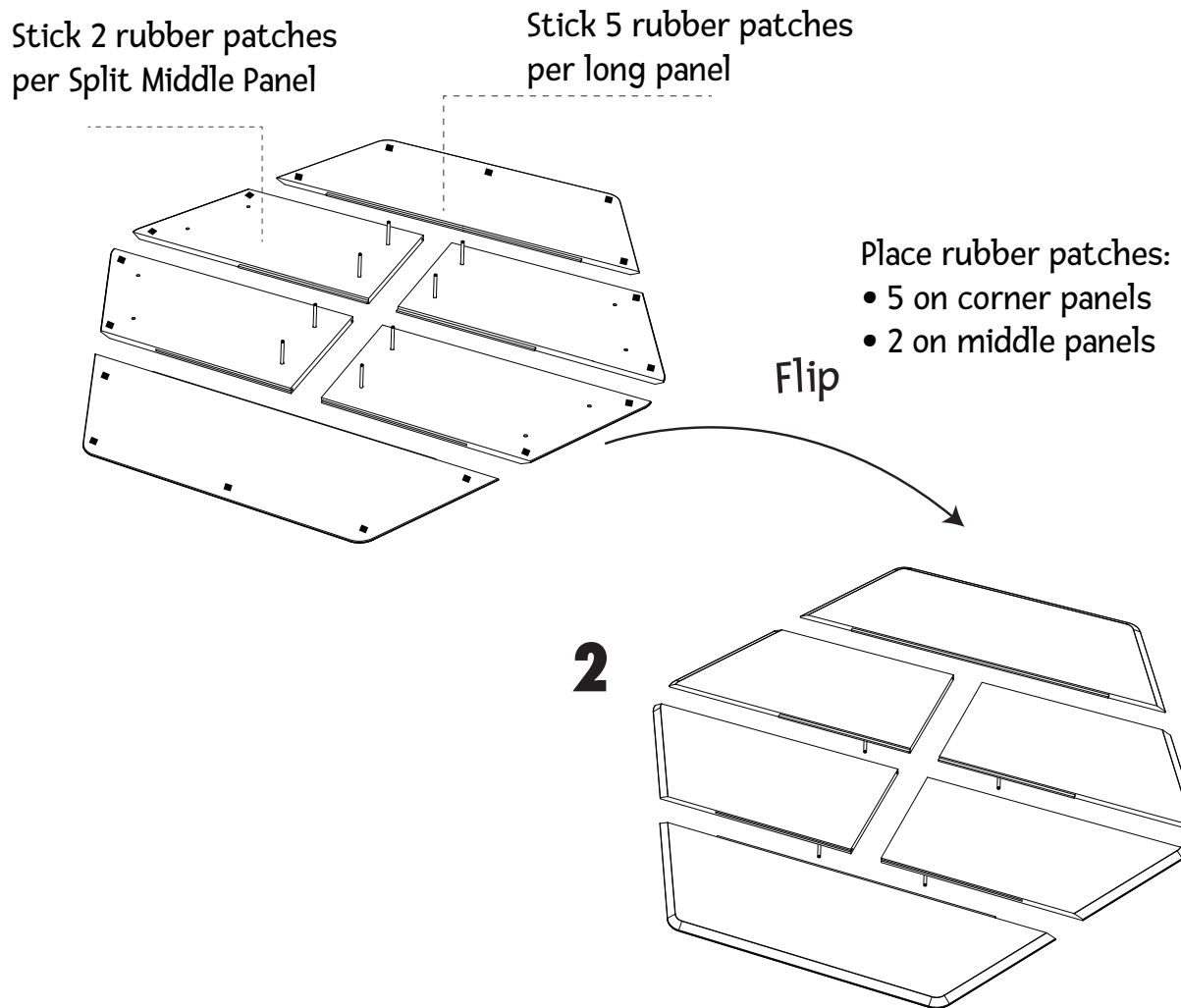


PS: The manual only shows how to install the tabletop—it doesn't come with the metal table.

## Step 6: Assemble the Tabletop

---

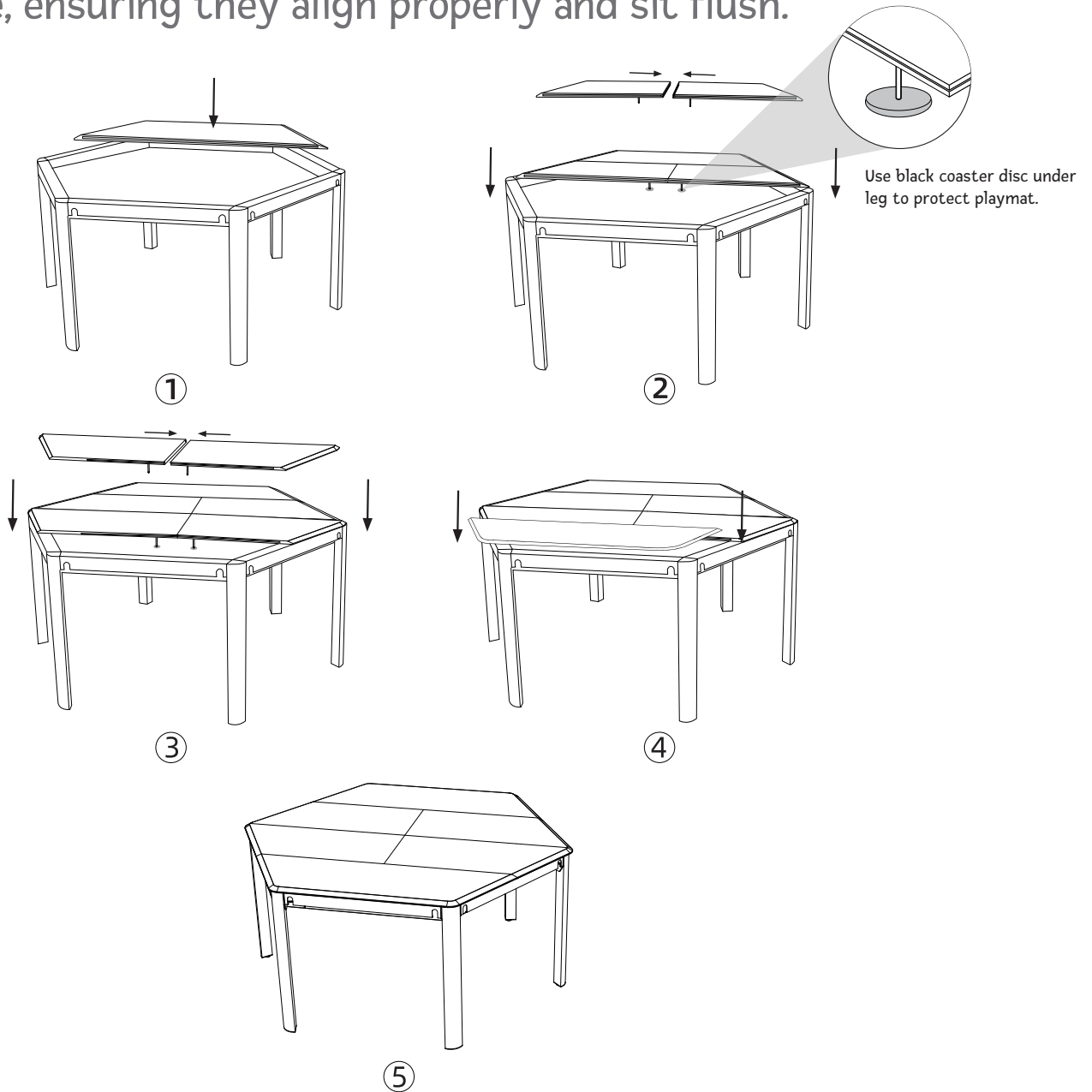
- Adding Rubber Patches To Wood Toppers



※ Rubber patches stop the wood from sliding around—make sure they make full contact with the table frame when the wood toppers are placed!

## Step 6: Install the Tabletop Panels

- Install the tabletop panels onto the table frame one by one in sequence, ensuring they align properly and sit flush.



Instagram



Facebook



Youtube

Please visit our website to explore more gaming accessory options.  
<https://boxkinggaming.com/>